

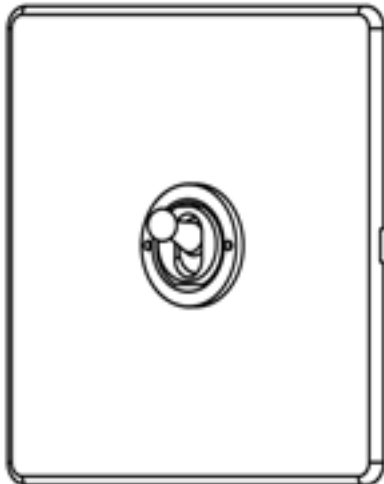


Technical Data 20Amp Toggle Switches

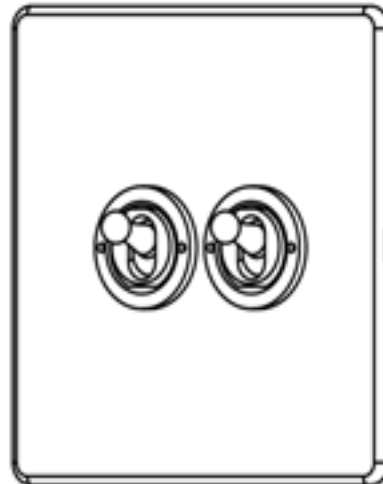
Product Codes and Descriptions

Code:	Description:	Code:	Description:
EC-T000X	20A 1G Toggle Switch	EC-T0XXX	20A 3G Toggle Switch
EC-T00XX	20A 2G Toggle Switch	EC-TXXXX	20A 4G Toggle Switch

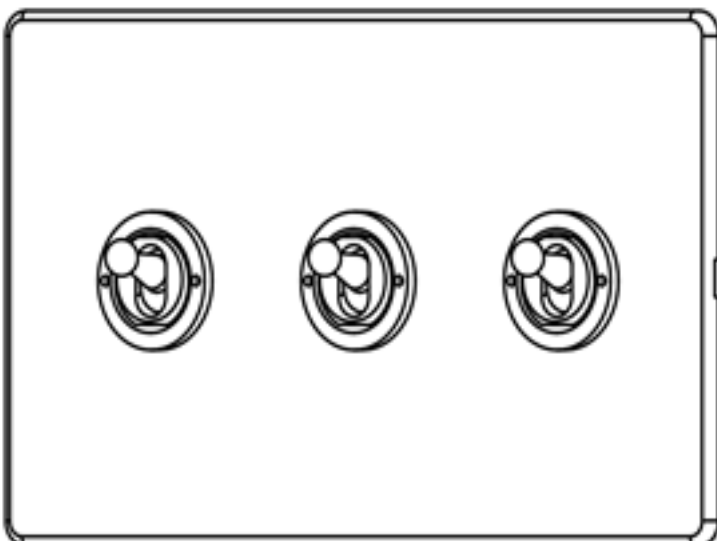
EC-T000X



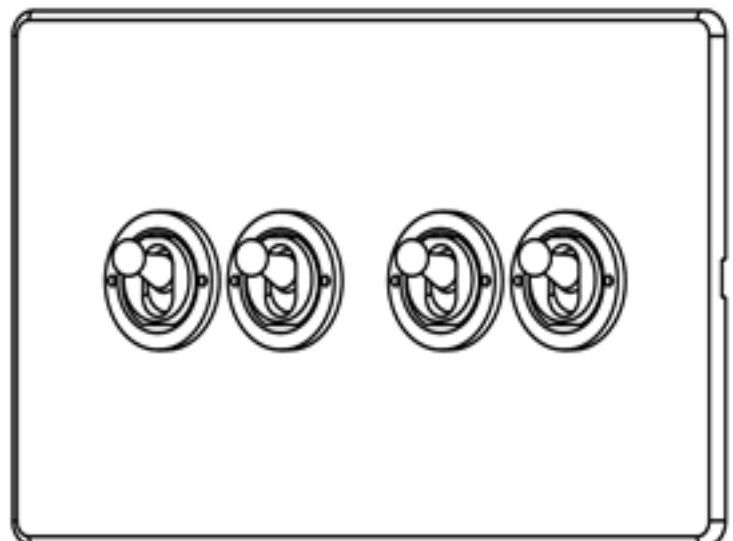
EC-T00XX



EC-T0XXX

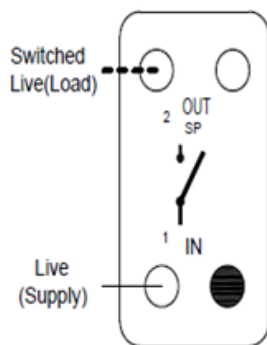


EC-TXXXX

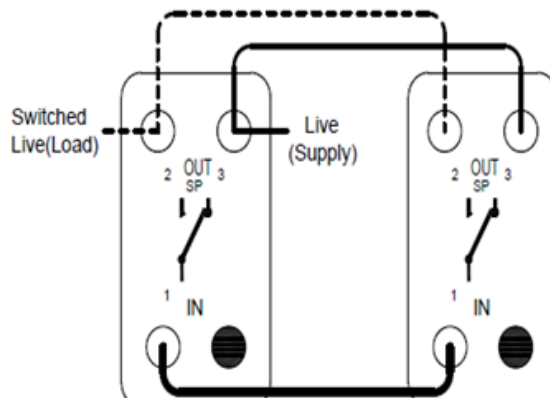


Technical Specifications	
Standard(s)	BS EN 60669-1
Rating	20 Amp, 250V~
Switch Type	Single Pole
Contact Gap	3mm
Terminal Capacity	3x 2.5mm ² , 2x 4.0mm ² , 1x 6.0mm ²
Mounting Box Depth (Min)	35mm
Fixing Centres	60.3mm, 120.6mm
Size	86mmx86mmx4.5mm(Plate thickness), 86mmx146mmx4.5mm(Plate thickness)
Product Class 1	Face plate must be earthed
Ambient Operating Temperature	-5° to +40°C
Recommended Location	Internal Use Only
Maximum Installation Altitude	2000m
IP Rating	IP2XD

**2 way switch
(on 1 switch)**



**2 way switch
(on remote switch)**



2 way switch

Intermediate switch

2 way switch

