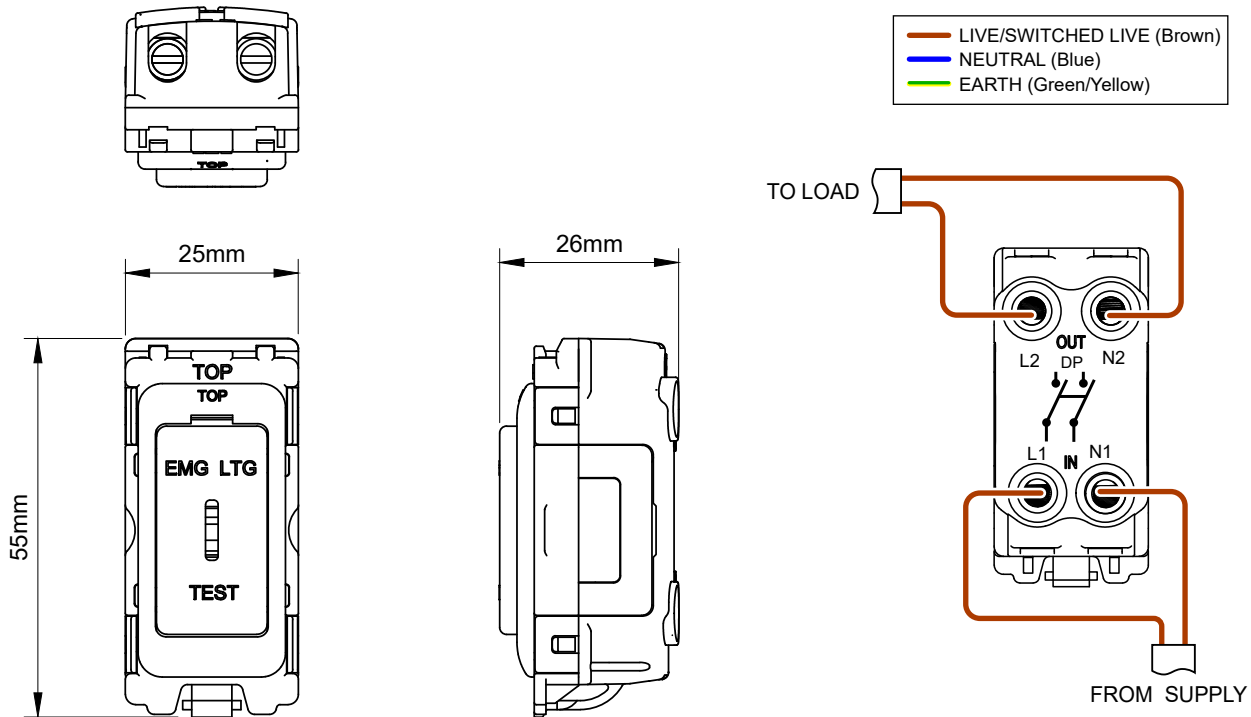


## SGP710

### 20AX Double Pole Switch Engraved "EMG LTG TEST"- Grid Module



TECHNICAL SPECIFICATION	
Standard(s)	BS EN 60669-1
Voltage Rating	20 Amp, 250V~ (20AX – no derating for inductive or fluorescent loads)
Mounting Box Depth (Min)	35mm
Terminal Capacity	4x 1.5mm <sup>2</sup> , 2x 2.5mm <sup>2</sup> & 1x 4.0mm <sup>2</sup>
Size	55mm x 25 x 26mm
Product Class 1	Grid frame must be earthed
Ambient Operating Temperature	-5° to +40°C
Recommended Location	Internal Use Only
Maximum Installation Altitude	2000m
IP Rating	IP2XD
Switched Poles	Double
Mains Frequency	50hz - 60hz
Trademarks	The Lieber Company is a registered trade mark number: UK00003313578 Date: 26 May 2018