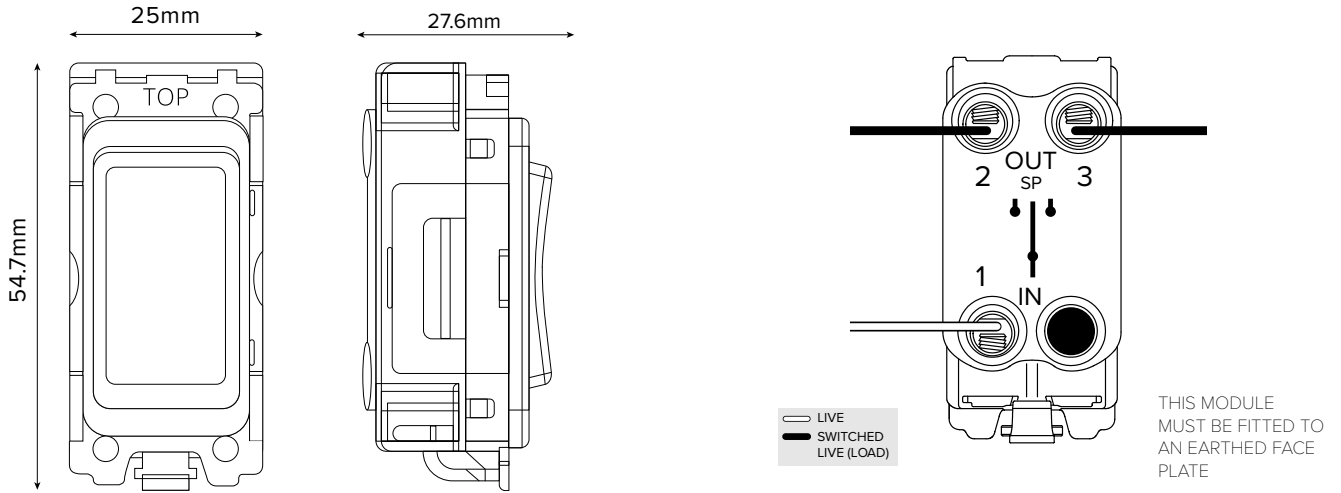


20A 2 Way Off Retractive Switch - Grid Module



TECHNICAL SPECIFICATION

Standard(s)	BS EN 60669-1
Voltage Rating	20 Amp, 250V [~]
Contact Gap	Mini-gap
Mounting Box Depth (Min)	35mm
Terminal Capacity	4 x 4.0mm ² , 3 x 6.0mm ² , 1 x 16.0mm ² (L&N) ?
Earth Terminal Capacity	3 x 2.5mm ² , 2 x 4.0mm ² , 1 x 6.0mm ² (Earth) ?
Size	54.7mm x 25mm x 27.6mm
Product Class 1	Must be fitted to an earthed face plate
Ambient Operating Temperature	-5° to +40°C
Recommended Location	Internal Use Only
Maximum Installation Altitude	2000m
IP Rating	IP2XD
Switched Poles	Single
Mains Frequency	50hz - 60hz
Contact Gap Minimum	3mm
Trademarks	The Soho Lighting Company is a registered trade mark number: UK00003313349, EU017906396, Date: 25 May 2018