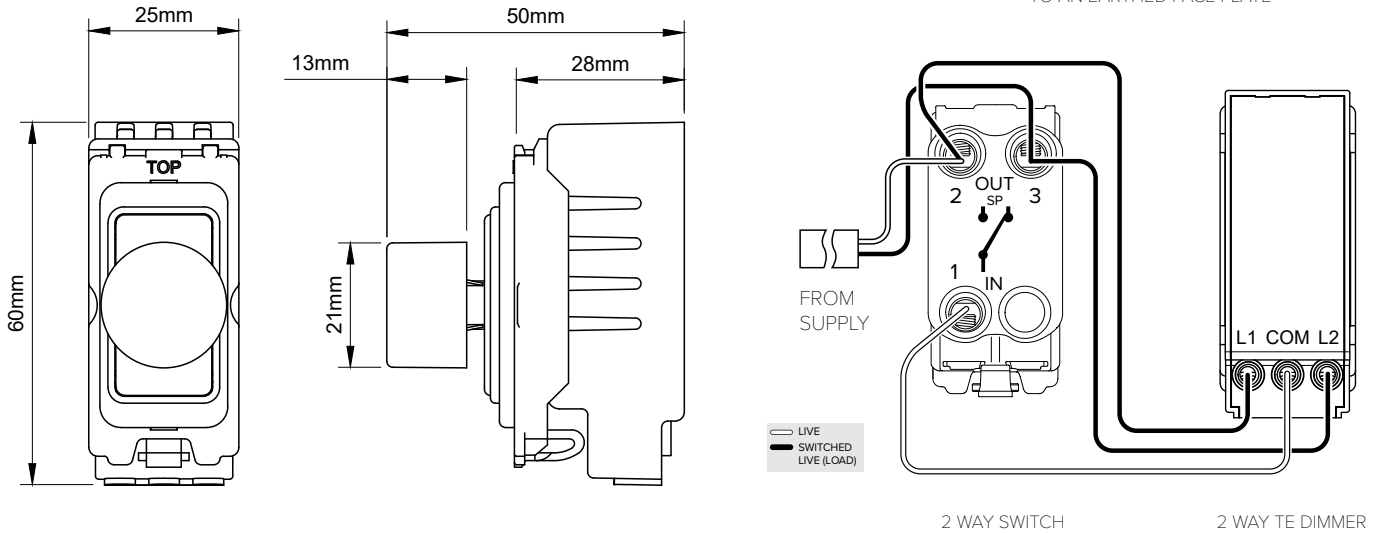


**SGP141**

**150W LED (400W Halogen & Incandescent)  
2 Way Intelligent Trailing Edge Dimmer - Grid Module**

THIS MODULE MUST BE FITTED  
TO AN EARTHED FACE PLATE



TECHNICAL SPECIFICATION

Standard(s)	BS EN 60669-2-1, BS EN 60669-1
Voltage Rating	200-250V AC, LED 5W-150W, Halogen 5-400W
Switch Type	Micro Gap
Mounting Box Depth (Min)	35mm
Terminal Capacity	3 x 1.0mm <sup>2</sup> , 2 x 1.5mm <sup>2</sup> , 1 x 2.5mm <sup>2</sup> , 1 x 4.0mm <sup>2</sup>
Size	60mm x 25mm x 50mm
Product Class 1	Face plate must be earthed
Ambient Operating Temperature	-5° to +40°C
Recommended Location	Internal Use Only
Maximum Installation Altitude	2000m
IP Rating	IP2XD
Switched Poles	Single
Mains Frequency	50hz - 60hz
Trademarks	The Soho Lighting Company is a registered trade mark number: UK00003313349, EU017906396, Date: 25 May 2018