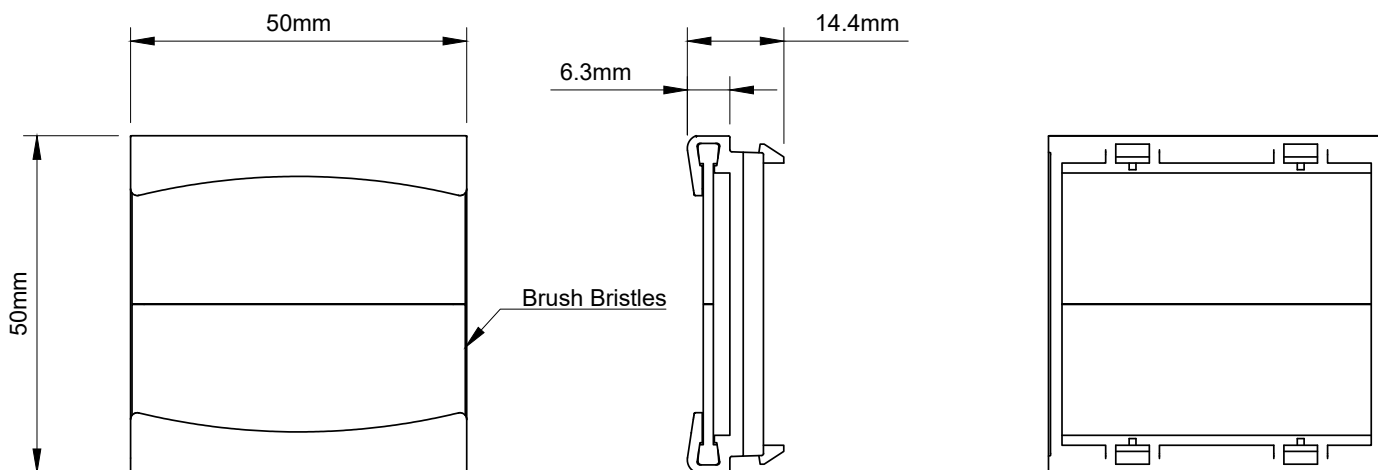


## Brush M2 50x50mm Flex Outlet - Euro module



### TECHNICAL SPECIFICATION

Standard(s)	BS 5733
Size	50mm x 50mm x 14.5mm
Product Class 1	Face plate must be earthed
Recommended Location	Internal Use Only
Maximum Installation Altitude	2000m
IP Rating	IP2XD
Trademarks	The Soho Lighting Company is a registered trade mark number: UK00003313349, EU017906396, Date: 25 May 2018