

NOTE: Dimensions and weights may vary slightly due to the hand made nature of this product.

02-PEN434 Prismatic Pineapple Pendant Light

Version No 1.0

Standards EN 60598

Voltage 220-240V~

Frequency AC Current 50Hz

Supply Connection Terminal Block/Quick Connector

Appliance (Protection) Class (I,II,III) Class I

Max Bulb Wattage 40w Max

Bulb Fitting E27

Number of Bulbs 1.0

Supplied with Bulbs No

IP Rating IP20

Total Drop 1816mm Approx.

Chain or Cable Length 1500mm

Shade Height 266mm

Shade Width or Diameter Ø160mm

Ceiling Rose Height 50mm

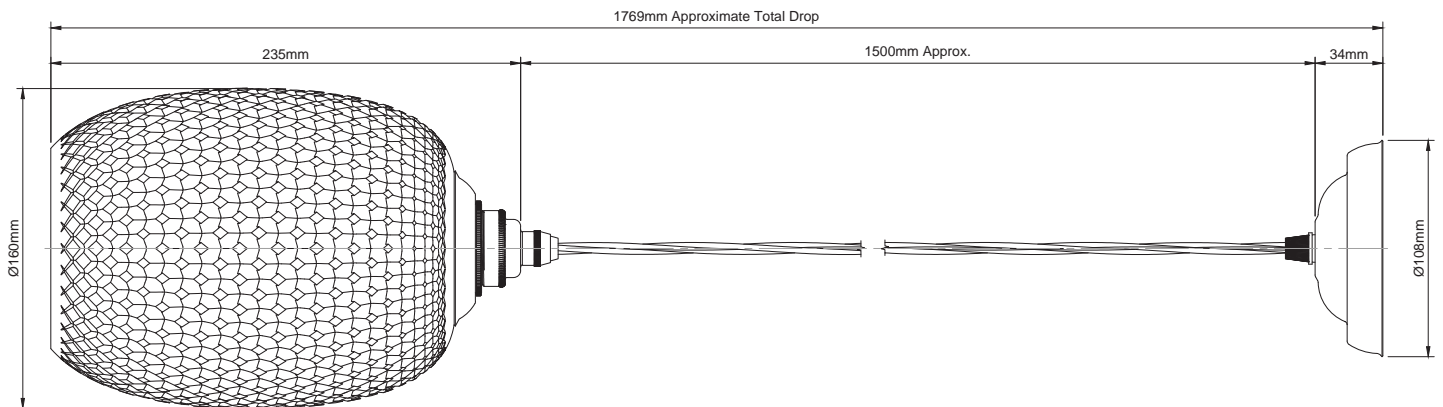
Ceiling Rose Diameter Ø120mm

Full Product Weight 1.090 Kg

Recommended Location Internal Use Only

Other Added shade/bulb must not exceed Max 1.055kg on Round Cable and 1.35kg on Twisted Cable

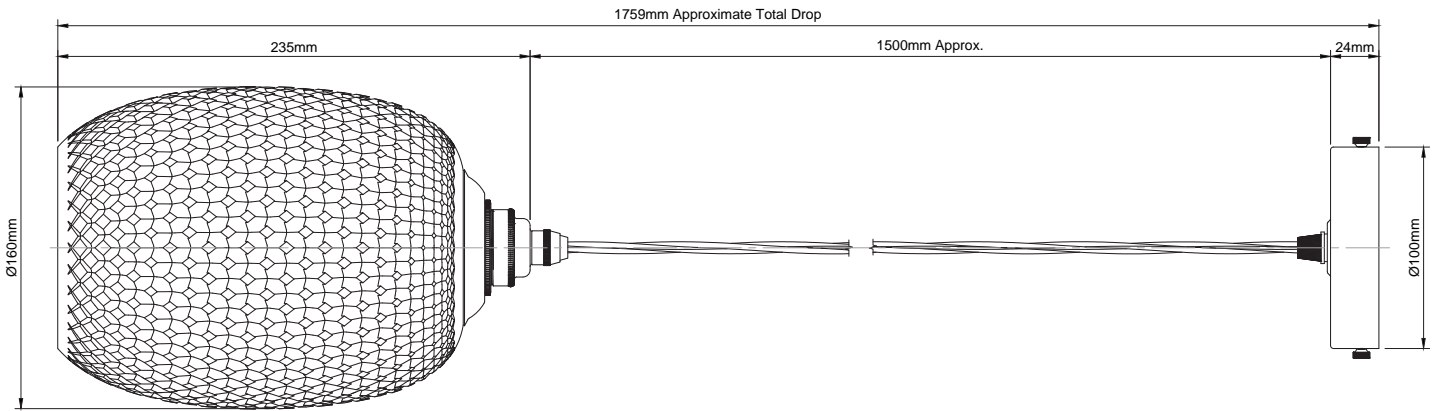
Trademarks The Soho Lighting Company. Registered trade mark number: UK00003313349, EU017906396, Date: 25 May 2018



NOTE: Dimensions and weights may vary slightly due to the hand made nature of this product.

16-PEN434-VB & NB Huxley Prismatic Pineapple Glass Pendant Light with Small Cap - VB or NB Finish

Version No	1.0
Standards	EN 60598
Voltage	220-240V~
Frequency AC Current	50Hz
Supply Connection	Terminal Block/Quick connector
Appliance (Protection) Class (I,II,III)	Class I
Max Bulb Wattage	Max 40W
Bulb Fitting	E27
Number of Bulbs	1.0
Supplied with Bulbs	No
IP Rating	IP20
Total Drop	1769mm Approx.
Chain or Cable Length	1500mm Approx.
Shade Height	235mm
Shade Width or Diameter	Ø 160mm
Ceiling Rose Height	34mm
Ceiling Rose Diameter	Ø 108mm
Full Product Weight	0.961kg
Recommended Location	Internal Use Only
Trademarks	The Soho Lighting Company. Registered trade mark number: UK00003313349, EU017906396, Date: 25 May 2018



NOTE: Dimensions and weights may vary slightly due to the hand made nature of this product.

16-PEN434-NK Huxley Prismatic Pineapple Glass Pendant Light with Small Cap - NK Finish

- Version No** 1.0
- Standards** EN 60598
- Voltage** 220-240V~
- Frequency AC Current** 50Hz
- Supply Connection** Terminal Block/Quick connector
- Appliance (Protection) Class (I,II,III)** Class I
- Max Bulb Wattage** Max 40W
- Bulb Fitting** E27
- Number of Bulbs** 1.0
- Supplied with Bulbs** No
- IP Rating** IP20
- Total Drop** 1759mm Approx.
- Chain or Cable Length** 1500mm Approx.
- Shade Height** 235mm
- Shade Width or Diameter** Ø 160mm
- Ceiling Rose Height** 24mm
- Ceiling Rose Diameter** Ø 100mm
- Full Product Weight** 1.003kg
- Recommended Location** Internal Use Only
- Trademarks** The Soho Lighting Company. Registered trade mark number: UK00003313349, EU017906396, Date: 25 May 2018