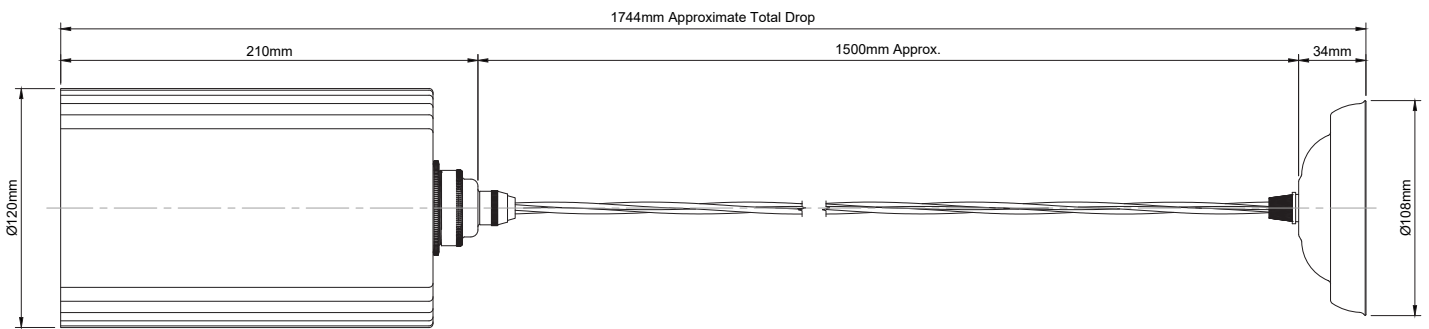


NOTE: Dimensions and weights may vary slightly due to the hand made nature of this product.

### 02-PEN409 Cylinder Ribbed Glass Pendant Light

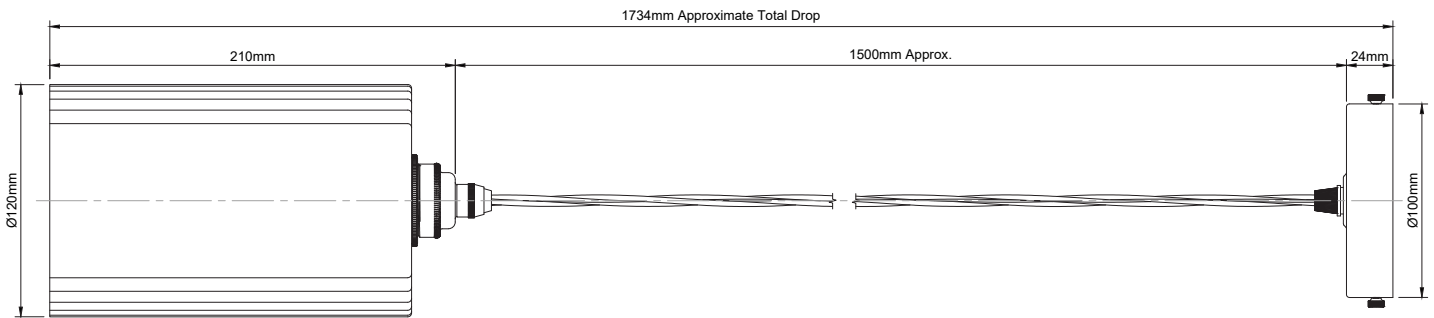
<b>Version No</b>	1.0
<b>Standards</b>	EN 60598
<b>Voltage</b>	220-240V~
<b>Frequency AC Current</b>	50Hz
<b>Supply Connection</b>	Terminal Block/Quick Connector
<b>Appliance (Protection) Class (I,II,III)</b>	Class I
<b>Max Bulb Wattage</b>	40w Max
<b>Bulb Fitting</b>	E27
<b>Number of Bulbs</b>	1.0
<b>Supplied with Bulbs</b>	No
<b>IP Rating</b>	IP20
<b>Total Drop</b>	1802mm Approx.
<b>Chain or Cable Length</b>	1500mm
<b>Shade Height</b>	252mm
<b>Shade Width or Diameter</b>	Ø120mm
<b>Ceiling Rose Height</b>	50mm
<b>Ceiling Rose Diameter</b>	Ø120mm
<b>Full Product Weight</b>	1.126 Kg
<b>Recommended Location</b>	Internal Use Only
<b>Other</b>	Added shade/bulb must not exceed Max 1.055kg on Round Cable and 1.35kg on Twisted Cable
<b>Trademarks</b>	The Soho Lighting Company. Registered trade mark number: UK00003313349, EU017906396, Date: 25 May 2018



NOTE: Dimensions and weights may vary slightly due to the hand made nature of this product.

### 14-PEN409-VB & NB Henley Cylinde Glass Pendant Light - VB or NB Finish

<b>Version No</b>	1.0
<b>Standards</b>	EN 60598
<b>Voltage</b>	220-240V~
<b>Frequency AC Current</b>	50Hz
<b>Supply Connection</b>	Terminal Block/Quick connector
<b>Appliance (Protection) Class (I,II,III)</b>	Class I
<b>Max Bulb Wattage</b>	Max 40W
<b>Bulb Fitting</b>	E27
<b>Number of Bulbs</b>	1.0
<b>Supplied with Bulbs</b>	No
<b>IP Rating</b>	IP20
<b>Total Drop</b>	1744mm Approx.
<b>Chain or Cable Length</b>	1500mm Approx.
<b>Shade Height</b>	210mm
<b>Shade Width or Diameter</b>	$\varnothing 120\text{mm}$
<b>Ceiling Rose Height</b>	34mm
<b>Ceiling Rose Diameter</b>	$\varnothing 108\text{mm}$
<b>Full Product Weight</b>	0.978kg
<b>Recommended Location</b>	Internal Use Only
<b>Trademarks</b>	The Soho Lighting Company. Registered trade mark number: UK00003313349, EU017906396, Date: 25 May 2018



NOTE: Dimensions and weights may vary slightly due to the hand made nature of this product.

### 14-PEN409-NK Henley Cylinde Glass Pendant Light - NK Finish

<b>Version No</b>	1.0
<b>Standards</b>	EN 60598
<b>Voltage</b>	220-240V~
<b>Frequency AC Current</b>	50Hz
<b>Supply Connection</b>	Terminal Block/Quick connector
<b>Appliance (Protection) Class (I,II,III)</b>	Class I
<b>Max Bulb Wattage</b>	Max 40W
<b>Bulb Fitting</b>	E27
<b>Number of Bulbs</b>	1.0
<b>Supplied with Bulbs</b>	No
<b>IP Rating</b>	IP20
<b>Total Drop</b>	1734mm Approx.
<b>Chain or Cable Length</b>	1500mm Approx.
<b>Shade Height</b>	210mm
<b>Shade Width or Diameter</b>	Ø 120mm
<b>Ceiling Rose Height</b>	24mm
<b>Ceiling Rose Diameter</b>	Ø 100mm
<b>Full Product Weight</b>	1.020kg
<b>Recommended Location</b>	Internal Use Only
<b>Trademarks</b>	The Soho Lighting Company. Registered trade mark number: UK00003313349, EU017906396, Date: 25 May 2018