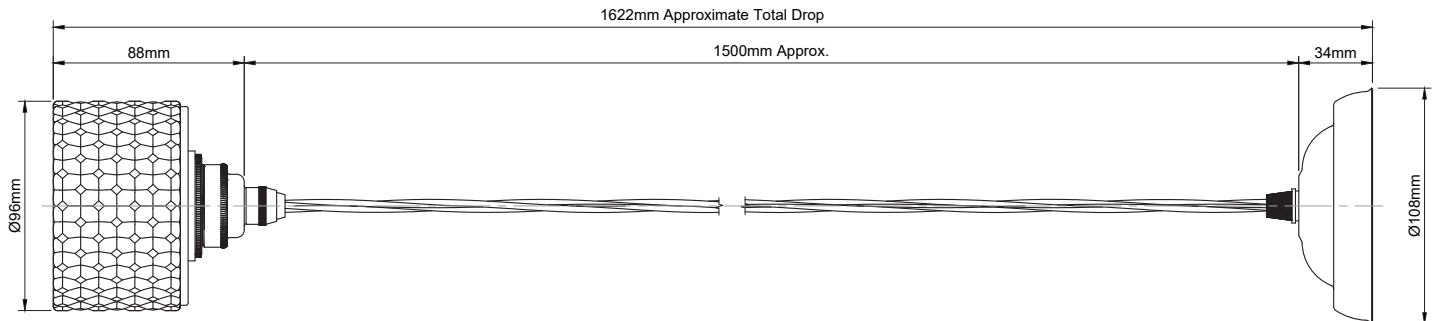


NOTE: Dimensions and weights may vary slightly due to the hand made nature of this product.

02-PEN408 Petite Prismatic Glass Pendant Light

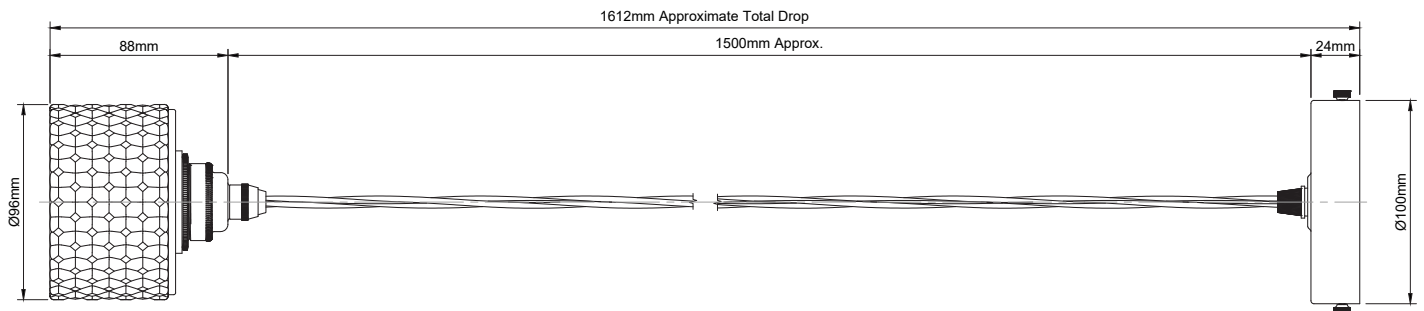
| | |
|--|--|
| Version No | 1.0 |
| Standards | EN 60598 |
| Voltage | 220-240V~ |
| Frequency AC Current | 50Hz |
| Supply Connection | Terminal Block/Quick Connector |
| Appliance (Protection) Class (I,II,III) | Class I |
| Max Bulb Wattage | 40w Max |
| Bulb Fitting | E27 |
| Number of Bulbs | 1.0 |
| Supplied with Bulbs | No |
| IP Rating | IP20 |
| Total Drop | 1680mm Approx. |
| Chain or Cable Length | 1500mm |
| Shade Height | 130mm |
| Shade Width or Diameter | Ø96mm |
| Ceiling Rose Height | 50mm |
| Ceiling Rose Diameter | Ø120mm |
| Full Product Weight | 0.560 Kg |
| Recommended Location | Internal Use Only |
| Other | Added shade/bulb must not exceed Max 1.055kg on Round Cable and 1.35kg on Twisted Cable |
| Trademarks | The Soho Lighting Company. Registered trade mark number: UK00003313349, EU017906396, Date: 25 May 2018 |



NOTE: Dimensions and weights may vary slightly due to the hand made nature of this product.

14-PEN408-VB & NB Dante Petite Prismatic Glass Pendant Light - VB or NB Finish

| | |
|--|--|
| Version No | 1.0 |
| Standards | EN 60598 |
| Voltage | 220-240V~ |
| Frequency AC Current | 50Hz |
| Supply Connection | Terminal Block/Quick connector |
| Appliance (Protection) Class (I,II,III) | Class I |
| Max Bulb Wattage | Max 40W |
| Bulb Fitting | E27 |
| Number of Bulbs | 1.0 |
| Supplied with Bulbs | No |
| IP Rating | IP20 |
| Total Drop | 1622mm Approx. |
| Chain or Cable Length | 1500mm Approx. |
| Shade Height | 88mm |
| Shade Width or Diameter | Ø 96mm |
| Ceiling Rose Height | 34mm |
| Ceiling Rose Diameter | Ø 108mm |
| Full Product Weight | 0.412kg |
| Recommended Location | Internal Use Only |
| Trademarks | The Soho Lighting Company. Registered trade mark number: UK00003313349, EU017906396, Date: 25 May 2018 |



NOTE: Dimensions and weights may vary slightly due to the hand made nature of this product.

14-PEN408-NK Dante Petite Prismatic Glass Pendant Light - NK Finish

| | |
|--|--|
| Version No | 1.0 |
| Standards | EN 60598 |
| Voltage | 220-240V~ |
| Frequency AC Current | 50Hz |
| Supply Connection | Terminal Block/Quick connector |
| Appliance (Protection) Class (I,II,III) | Class I |
| Max Bulb Wattage | Max 40W |
| Bulb Fitting | E27 |
| Number of Bulbs | 1.0 |
| Supplied with Bulbs | No |
| IP Rating | IP20 |
| Total Drop | 1612mm Approx. |
| Chain or Cable Length | 1500mm Approx. |
| Shade Height | 88mm |
| Shade Width or Diameter | Ø 96mm |
| Ceiling Rose Height | 24mm |
| Ceiling Rose Diameter | Ø 100mm |
| Full Product Weight | 0.454kg |
| Recommended Location | Internal Use Only |
| Trademarks | The Soho Lighting Company. Registered trade mark number: UK00003313349, EU017906396, Date: 25 May 2018 |