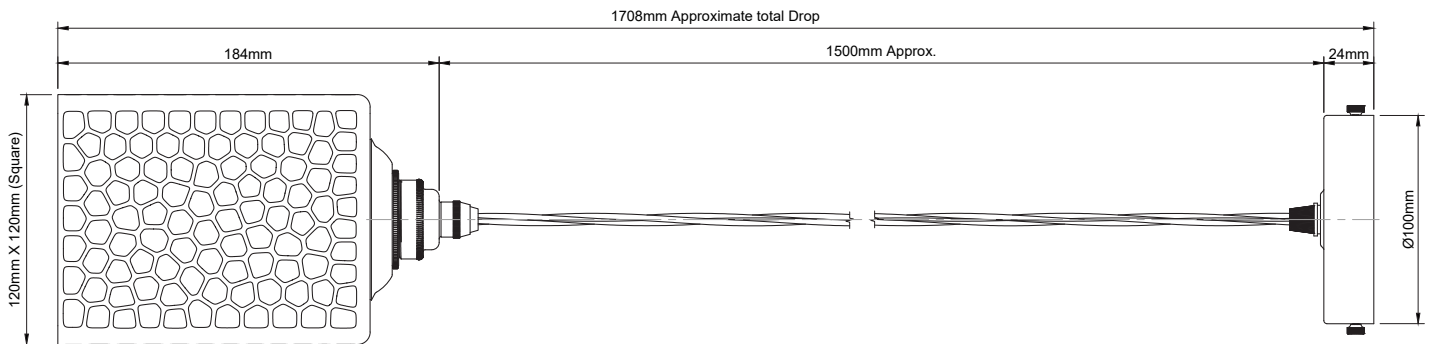


NOTE: Dimensions and weights may vary slightly due to the hand made nature of this product.

16-PEN441-VB & NB Montagu Cuboid Dappled Glass Pendant Light with Small Cap - VB or NB Finish

Version No	1.0
Standards	EN 60598
Voltage	220-240V~
Frequency AC Current	50Hz
Supply Connection	Terminal Block/Quick connector
Appliance (Protection) Class (I,II,III)	Class I
Max Bulb Wattage	Max 40W
Bulb Fitting	E27
Number of Bulbs	1.0
Supplied with Bulbs	No
IP Rating	IP20
Total Drop	1718mm Approx.
Chain or Cable Length	1500mm Approx.
Shade Height	184mm
Shade Width or Diameter	120mm
Shade Depth	120mm
Ceiling Rose Height	34mm
Ceiling Rose Diameter	Ø 108mm
Full Product Weight	1.057kg
Recommended Location	Internal Use Only
Trademarks	The Soho Lighting Company. Registered trade mark number: UK00003313349, EU017906396, Date: 25 May 2018



NOTE: Dimensions and weights may vary slightly due to the hand made nature of this product.

16-PEN441-NK Montagu Cuboid Dappled Glass Pendant Light with Small Cap - NK Finish

- Version No** 1.0
- Standards** EN 60598
- Voltage** 220-240V~
- Frequency AC Current** 50Hz
- Supply Connection** Terminal Block/Quick connector
- Appliance (Protection) Class (I,II,III)** Class I
- Max Bulb Wattage** Max 40W
- Bulb Fitting** E27
- Number of Bulbs** 1.0
- Supplied with Bulbs** No
- IP Rating** IP20
- Total Drop** 1708mm Approx.
- Chain or Cable Length** 1500mm Approx.
- Shade Height** 184mm
- Shade Width or Diameter** 120mm
- Shade Depth** 120mm
- Ceiling Rose Height** 24mm
- Ceiling Rose Diameter** Ø 100mm
- Full Product Weight** 1.099kg
- Recommended Location** Internal Use Only
- Trademarks** The Soho Lighting Company. Registered trade mark number: UK00003313349, EU017906396, Date: 25 May 2018