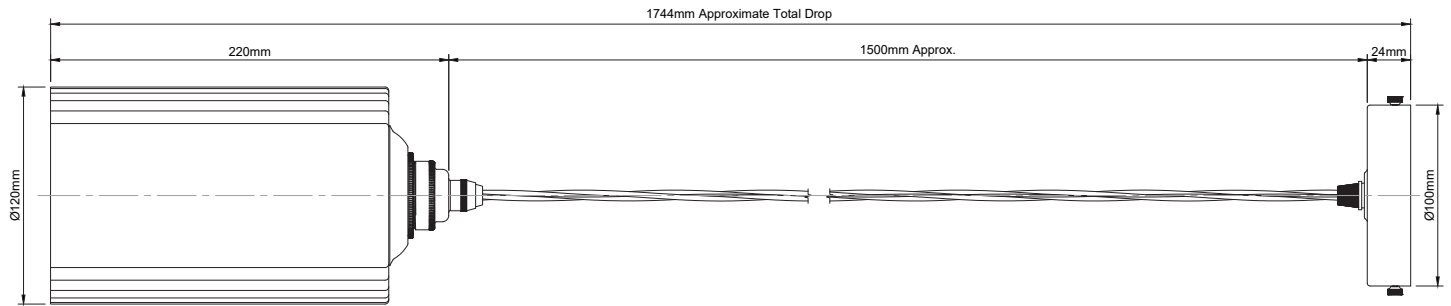


NOTE: Dimensions and weights may vary slightly due to the hand made nature of this product.

16-PEN409-VB & NB Henley Cylinde Glass Pendant Light with Small Cap - VB or NB Finish

Version No	1.0
Standards	EN 60598
Voltage	220-240V~
Frequency AC Current	50Hz
Supply Connection	Terminal Block/Quick connector
Appliance (Protection) Class (I,II,III)	Class I
Max Bulb Wattage	Max 40W
Bulb Fitting	E27
Number of Bulbs	1.0
Supplied with Bulbs	No
IP Rating	IP20
Total Drop	1754mm Approx.
Chain or Cable Length	1500mm Approx.
Shade Height	220mm
Shade Width or Diameter	Ø 120mm
Ceiling Rose Height	34mm
Ceiling Rose Diameter	Ø 108mm
Full Product Weight	0.997kg
Recommended Location	Internal Use Only
Trademarks	The Soho Lighting Company. Registered trade mark number: UK00003313349, EU017906396, Date: 25 May 2018



NOTE: Dimensions and weights may vary slightly due to the hand made nature of this product.

16-PEN409-NK Henley Cylinde Glass Pendant Light with Small Cap - NK Finish

Version No	1.0
Standards	EN 60598
Voltage	220-240V~
Frequency AC Current	50Hz
Supply Connection	Terminal Block/Quick connector
Appliance (Protection) Class (I,II,III)	Class I
Max Bulb Wattage	Max 40W
Bulb Fitting	E27
Number of Bulbs	1.0
Supplied with Bulbs	No
IP Rating	IP20
Total Drop	1744mm Approx.
Chain or Cable Length	1500mm Approx.
Shade Height	220mm
Shade Width or Diameter	Ø 120mm
Ceiling Rose Height	24mm
Ceiling Rose Diameter	Ø 100mm
Full Product Weight	1.039kg
Recommended Location	Internal Use Only
Trademarks	The Soho Lighting Company. Registered trade mark number: UK00003313349, EU017906396, Date: 25 May 2018