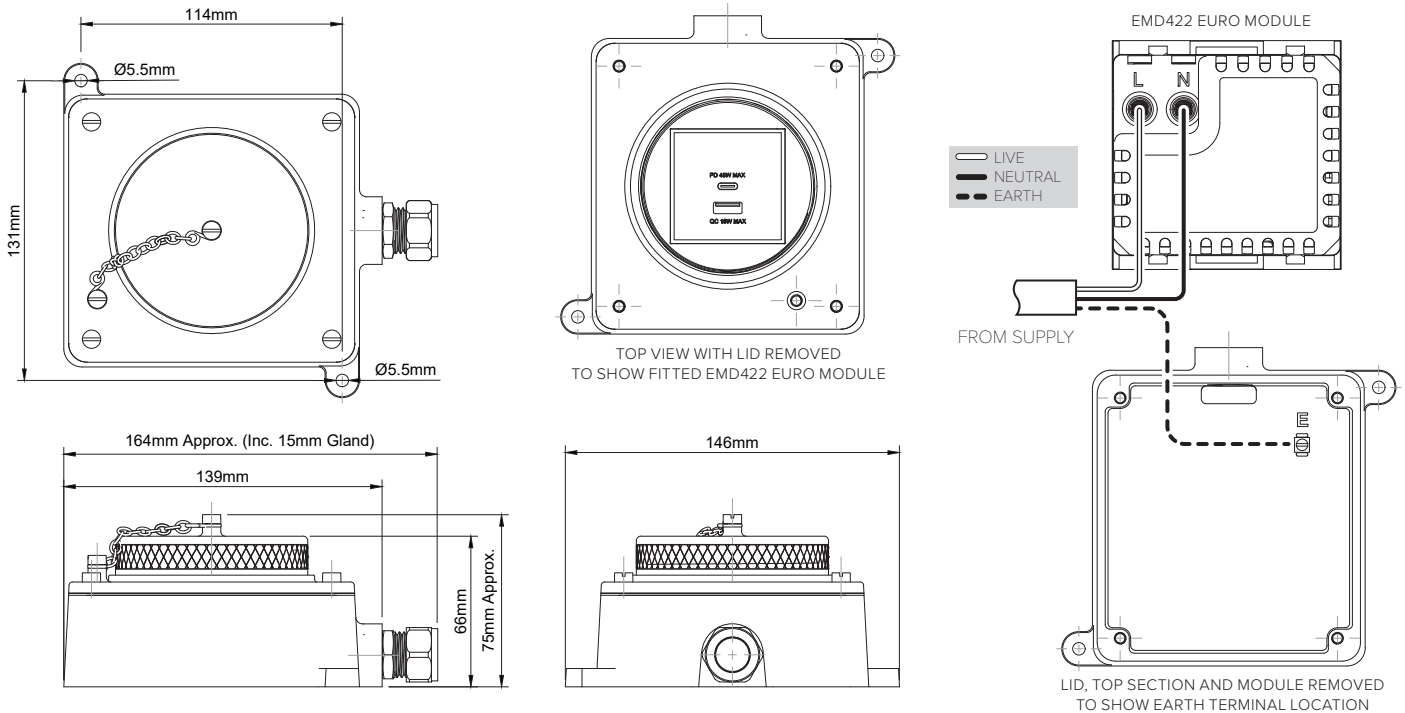


1 Gang IP66 Outdoor Housing with 18W QC/45W PD USB Type A+C Socket



TECHNICAL SPECIFICATION

Standard(s)	Housing IEC 60529, USB Socket BS EN 62368-1	
Voltage Rating	100-250V~, 0.7A , 50/60Hz	
Fast Charge Protocol	USB PD (TYPE C ONLY), QC 2.0, QC 3.0, PE, SCP, FCP, AFC.	
USB Output	OUTPUT: 45W MAX	
	TYPE C ONLY	TYPE A + C
	5V \equiv 3.0A, 9V \equiv 3.0A, 12V \equiv 3.0A, 15V \equiv 3.0A, 20V \equiv 2.25A	TYPE A: 5-12V \equiv 18W MAX TYPE C: 5V \equiv 3.0A, 9V \equiv 3.0A, 20V \equiv 1.35A 12V \equiv 2.25A, 15V \equiv 1.8A
Terminal Capacity	3 x 1.5mm ² , 2 x 2.5mm ² , 1 x 4.0mm ²	
Fixing Hole Diameter	Ø5.5mm	
Earth Terminal Capacity	Housing 3 x 2.5mm ² , 1 x 4.0mm ² , 1 x 6.0mm ²	
Size	75mm x 146mm x 163mm (with 20mm gland fitted)	
Product Weight	2.545 Kg	
Glands	Includes: 1x 15mm to 20mm and 1x 15mm to 15mm	
Product Class 1	Product must be earthed	
Ambient Operating Temperature	-5° to +40°C	
Recommended Location	Suitable for outdoor use	
Max Installation Altitude	2000m	
IP Rating	Housing IP66, Socket IP2XD	
Mains Frequency	50hz - 60hz	
Euro Module Fitted	EMD422	
Trademarks	The Soho Lighting Company is a registered trade mark number: UK00003313349, EU017906396, Date: 25 May 2018	