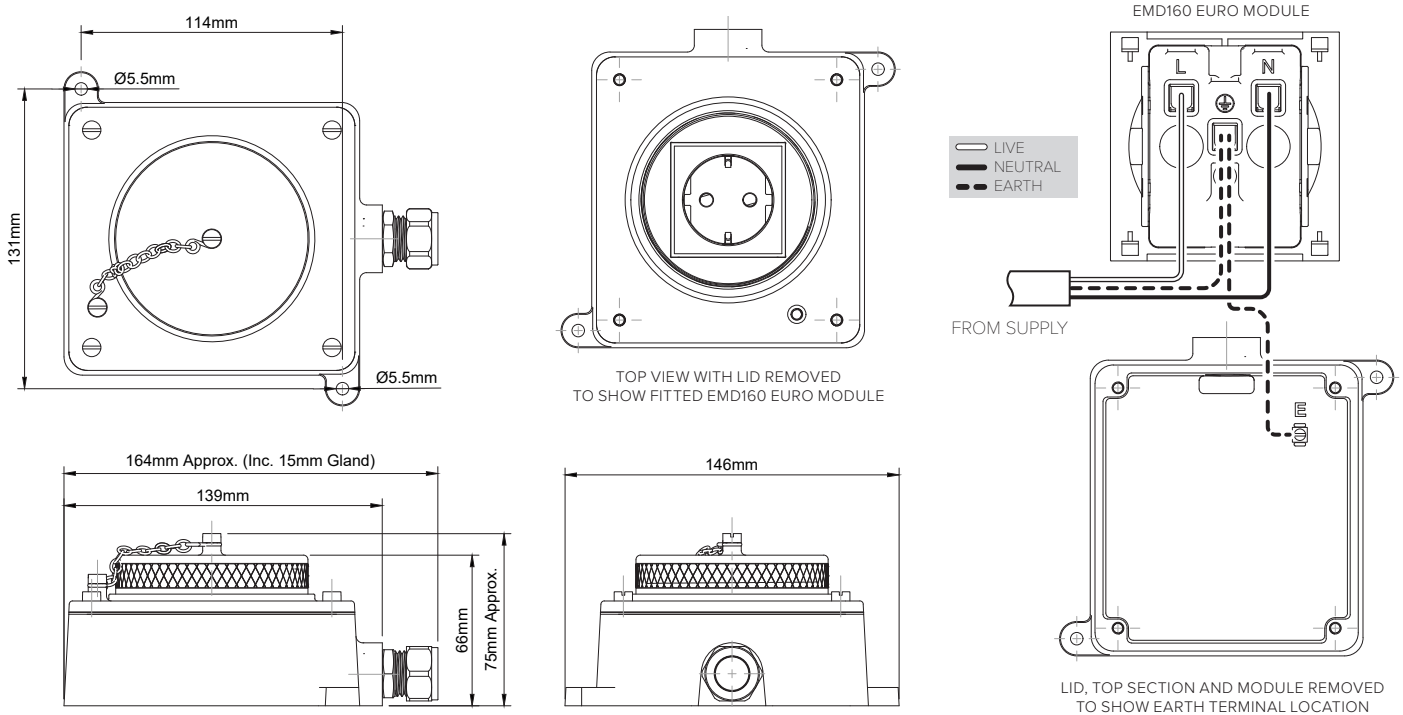


1 Gang IP66 Outdoor Housing with 16A Euro Schuko Socket



TECHNICAL SPECIFICATION

Standard(s)	Housing IEC 60529, Socket DIN 0620
Voltage Rating	16A, 250V~
Terminal Capacity	3 x 2.5mm ² , 3 x 4.0mm ² , 2 x 6.0mm ²
Earth Terminal Capacity	Module 3 x 2.5mm ² , 3 x 4.0mm ² , 2 x 6.0mm ² , Housing 3 x 2.5mm ² , 1 x 4.0mm ² , 1 x 6.0mm ²
Fixing Hole Diameter	Ø5.5mm
Size	75mm x 146mm x 163mm (with 20mm gland fitted)
Product Weight	2.490 Kg
Glands	Includes: 1x 15mm to 20mm and 1x 15mm to 15mm
Product Class 1	Product must be earthed
Ambient Operating Temperature	-5° to +40°C
Recommended Location	Suitable for outdoor use
Max Installation Altitude	2000m
IP Rating	Housing IP66, Socket IP2XD
Mains Frequency	50hz - 60hz
Euro Module Fitted	EMD160
Trademarks	The Soho Lighting Company is a registered trade mark number: UK00003313349, EU017906396, Date: 25 May 2018