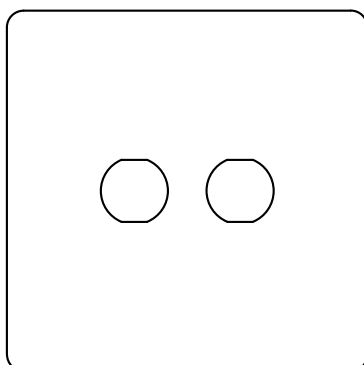
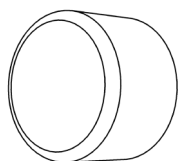


22-LTS252

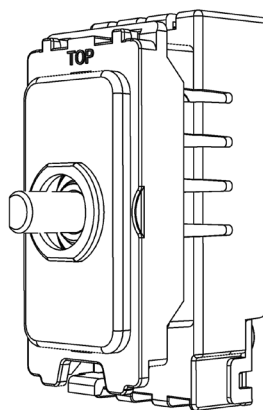
2 Gang 250W Multi-Way Intelligent Dimmer - Traditional Plate



20-GRD133



SGP146



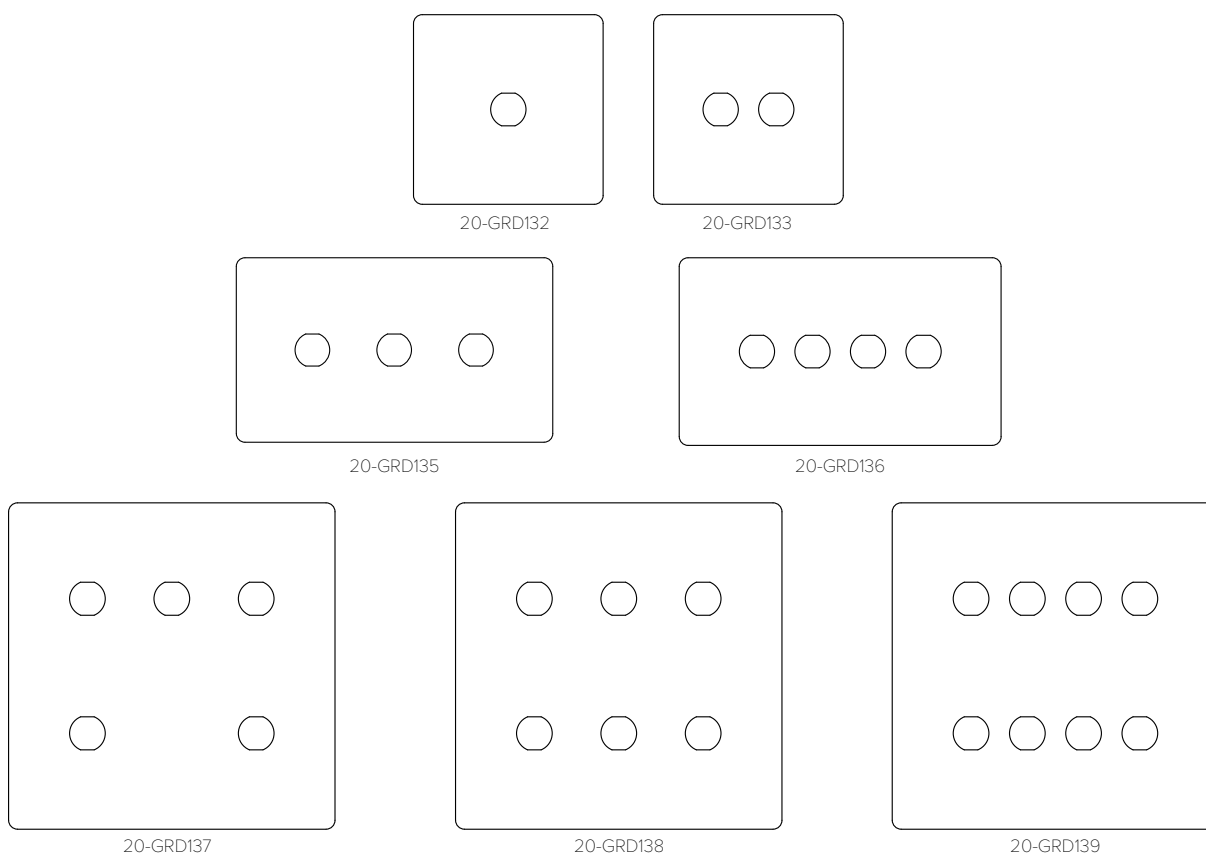
Enkin PDM250 & SOHO Grid Adapter

Contents

| | |
|---------------------|--|
| 20-GRD133 | 2 Gang Circular Hole Grid Plate - Traditional |
| | <ul style="list-style-type: none"> — 20-PLT133 2 Gang Circular Hole Traditional Grid Plate — 20-EDG007 Single Traditional Type Gasket — SGPYLK-12 Single Grid Frame (Yoke) |
| SGP146 | CM-Grid Dimmer Knob X 2 |
| Enkin PDM250 | 250W Multi-Way Intelligent Dimmer with Soho CM Grid Adapter X 2 |
| Trademarks | The Soho Lighting Company is a registered trade mark number: UK00003313349, EU017906396, Date: 25 May 2018 |

POWERED BY
ENKIN

20-GRD132-139

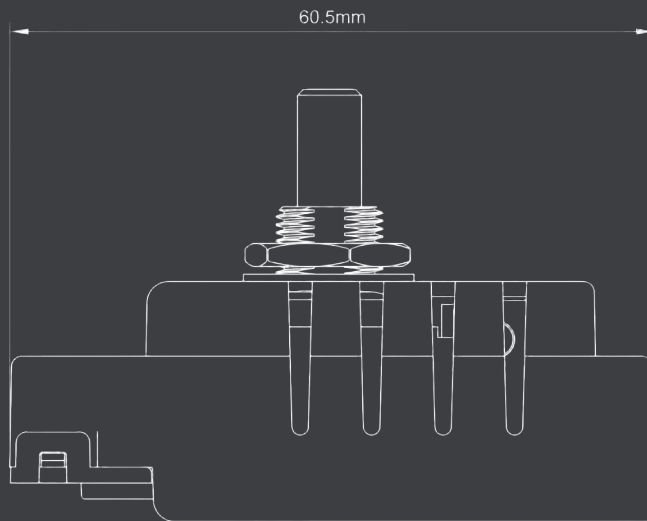
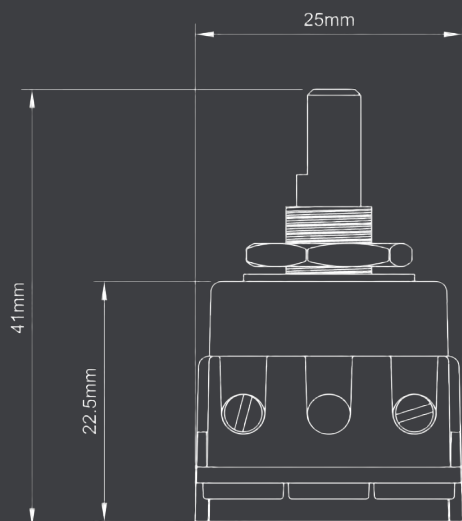


TECHNICAL SPECIFICATION

| | |
|----------------------------------|--|
| Standard(s) | BS 5733 (Where Applicable) |
| Mounting Box Depth (Recommended) | 47mm |
| Earth Terminal Capacity | 3 x 2.5mm ² , 2 x 4.0mm ² , 1 x 6.0mm ² (EARTH) |
| Fixing Centres | 60.3mm (Single width) 120.6mm (Double Width) |
| Size - (1 Gang) 20-GRD132 | 86mm x 86mm x 4.5mm (Plate Thickness Inc. Gasket) |
| Size - (2 Gang) 20-GRD133 | 86mm x 86mm x 4.5mm (Plate Thickness Inc. Gasket) |
| Size - (3 Gang) 20-GRD135 | 86mm x 146mm x 4.5mm (Plate Thickness Inc. Gasket) |
| Size - (4 Gang) 20-GRD136 | 86mm x 146mm x 4.5mm (Plate Thickness Inc. Gasket) |
| Size - (5 Gang) 20-GRD137 | 146mm x 146mm x 4.5mm (Plate Thickness Inc. Gasket) |
| Size - (6 Gang) 20-GRD138 | 146mm x 146mm x 4.5mm (Plate Thickness Inc. Gasket) |
| Size - (8 Gang) 20-GRD139 | 146mm x 146mm x 4.5mm (Plate Thickness Inc. Gasket) |
| Product Class 1 | Face plate must be earthed |
| Ambient Operating Temperature | -5° to +40°C |
| Recommended Location | Internal Use Only |
| Maximum Installation Altitude | 2000m |
| IP Rating | IP2XD |
| Trademarks | The Soho Lighting Company is a registered trade mark number: UK00003313349, EU017906396, Date: 25 May 2018 |

PDM250

Enkin 250W Multi-Way Intelligent Dimmer



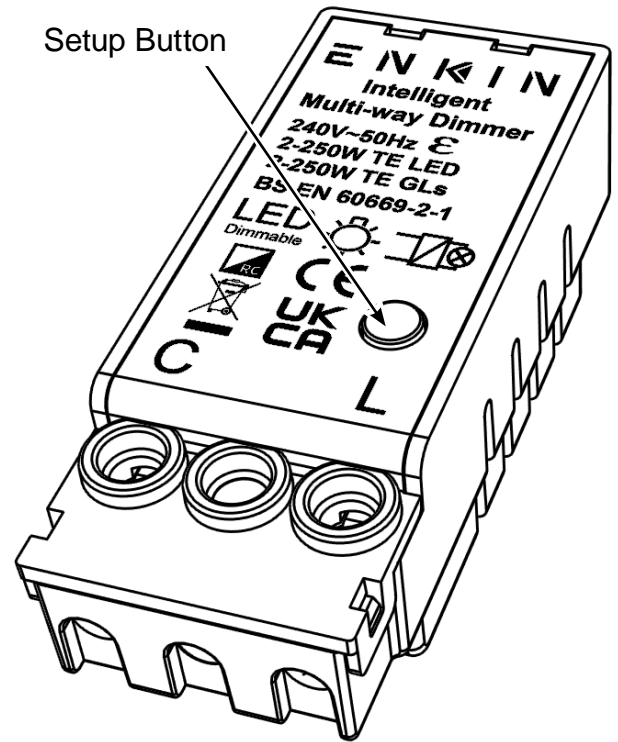
| | |
|--|--|
| Markings & Standard(s) | CE, UKCA, BS EN 60669-2-1 |
| Operating Voltage | 220-240V AC |
| Main Frequency | 50Hz |
| Minimum Load | 2W LED (2W Incandescent/Halogen) |
| Maximum Load | 250W LED (250W Incandescent/Halogen) |
| Switch Type | Multi-way |
| Dimming Protocol | Trailing edge phase control |
| Mounting Box Depth (Min) | 35mm |
| Terminal Capacity | 1 x 4mm ² / 1 x 2.5mm ² / 3 x 1.5mm ² / 4 x 1mm ² |
| Terminal Markings | C (Live), L (Load) |
| Neutral Required | No |
| Short Circuit Protection | Yes |
| Overload/Overcurrent Protection | Yes |
| Thermal Protection | Yes - Thermal resettable fuse |
| Soft Start | Yes |
| Power Failure | Previous state recall |
| Memory | Non volatile |
| Min/Max Level Setting | Yes - Following a defined procedure |
| Driving Mode | Trailing Edge (TE) only |
| Product Dimensions | 60.5mm x 14mm x 25mm |
| Climate Range | 0°C to 40°C, humidity 0% to 95% non-condensing |
| Recommended Location | Indoor use only |
| Maximum Installation Altitude | 2000m |
| IP Rating | IP2XD |
| Trademarks | Enkin is a trading name of Trade Ivy. Registered in England Number: 10809945. Copyright © 2021 |



| | |
|------------------------------------|-----------------------------|
| Operating Voltage | 240V ac |
| Nominal Operating Frequency | 50 Hz |
| Dimming Technique | Trailing edge phase control |
| Compliance | BS EN 60669-2-1 |

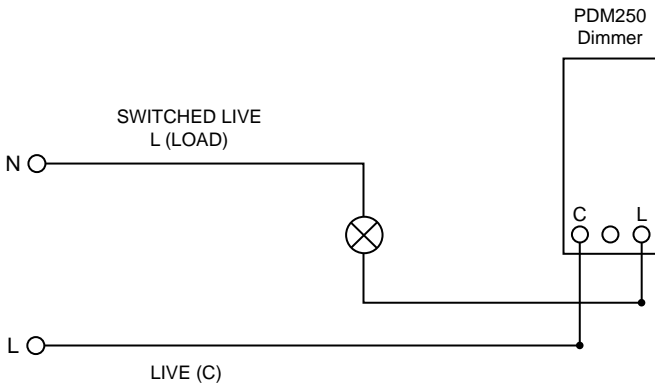
| Load Symbol | Compatible Loads | Max Load | Min Load |
|-------------|---|----------|----------|
| | Dimmable LED lighting | 250W | 2W |
| | 240V Incandescent & Halogen lamps | 250W | 2W |
| | Low voltage lighting with electronic transformers | 250W | 2W |

| Multi-Gang Switch De-Rating Chart | | | | |
|-----------------------------------|--------|--------|--------|--------|
| 1 Gang | 2 Gang | 3 Gang | 4 Gang | 5 Gang |
| 250W | 212.5W | 175W | 137.5W | 100W |

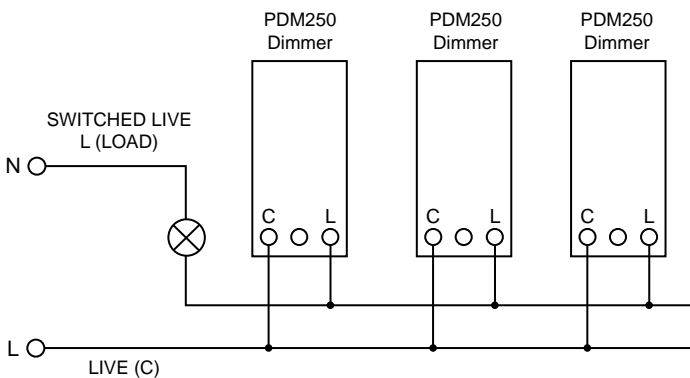


WIRING EXAMPLES

WIRING DIAGRAM - SINGLE PDM250 DIMMER SWITCH



WIRING DIAGRAM - MULTIPLE PDM250 DIMMER SWITCHES



OPERATING INSTRUCTIONS

MULTI-WAY DIMMING - FUNCTIONALITY

Multiple PDM250 dimmers in a connected set (connected in parallel), will all share the same settings and dimming position, including high and low settings. Because of this, it is important to only use the same luminaire type, per set of dimmers to avoid any mismatch between high and low settings.

It is only necessary to perform any hi/low or reset button sequences on one of the PDM250 dimmers connected in a set, this must be performed only after all dimmers on the circuit have been connected together.

IMPORTANT NOTE: The PDM250 only works with other PDM250s and does not work in conjunction with any other type of dimmer switch.

A reset sequence must be performed if dimmers are added or subtracted from the circuit, or luminaire type is changed, and then hi/low setup repeated.

ON OFF & DIMMING FUNCTION

Dimmer switch is activated by pressing the dimmer shaft only, dimming function by rotating the dimmer shaft only.

REAR PANEL PRESS BUTTON - DIMMER SETUP SEQUENCES

Setting the Minimum Level (Anywhere below 50% of range)

1. Whilst on, slowly adjust dimmer to your desired minimum brightness.
2. Push the rear setup button 3 times within 2 seconds.
3. The LEDs will step up and down in brightness once to confirm the setting has been saved.

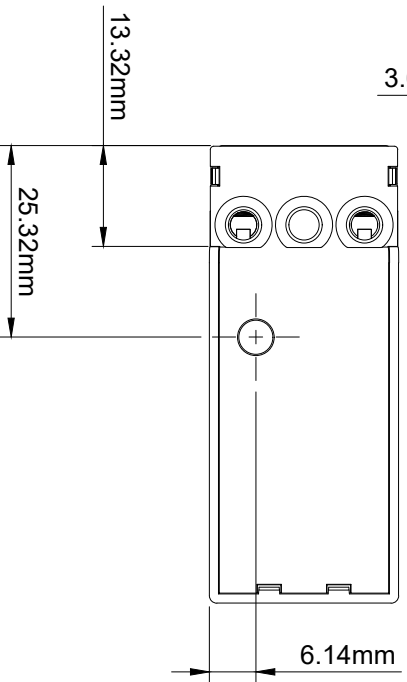
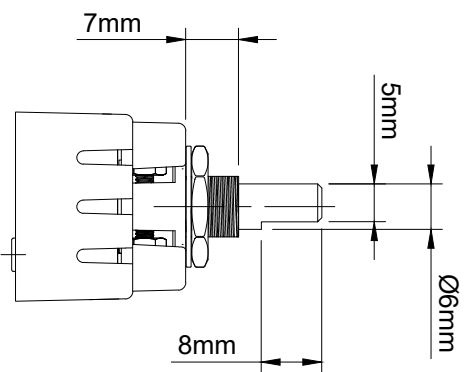
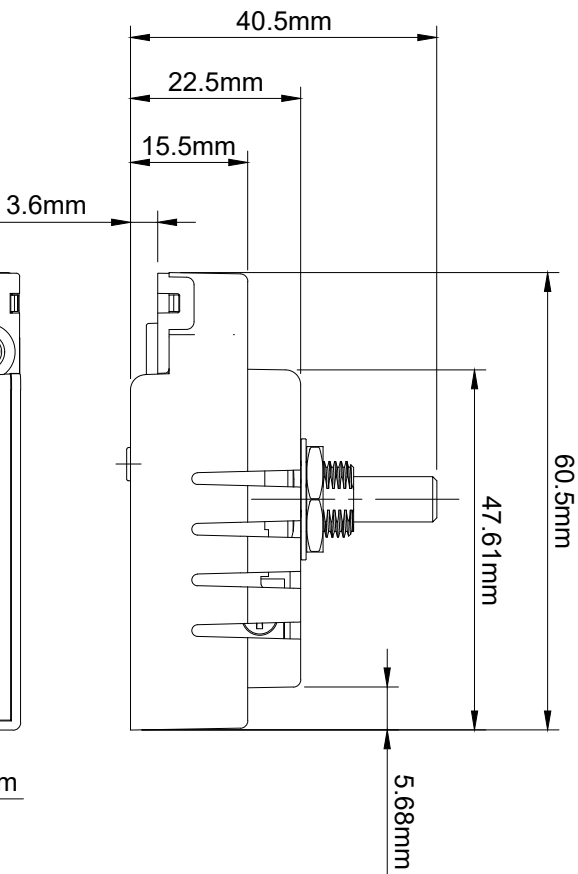
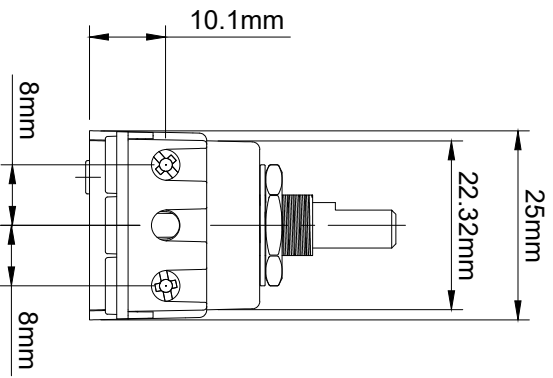
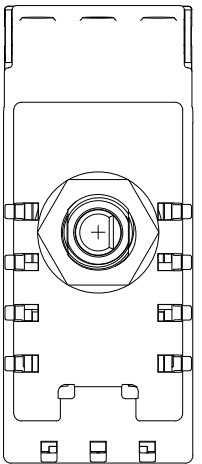
Setting the Maximum Level (Anywhere above 50% of range)

1. Whilst on, slowly adjust dimmer to your desired maximum brightness.
2. Push the rear setup button 5 times within 3 seconds.
3. The LEDs will step up and down in brightness once to confirm the setting has been saved.

Factory reset for Min/Max brightness

Please note this factory reset will reset all the min and max brightness settings.

1. Whilst on, push the rear setup button 7 times within 5 seconds.
2. The LEDs will step up and down in brightness three times to confirm that the min/max setting has been cleared.



PDM250 - Intelligent Multi-way Dimmer

E N K I N