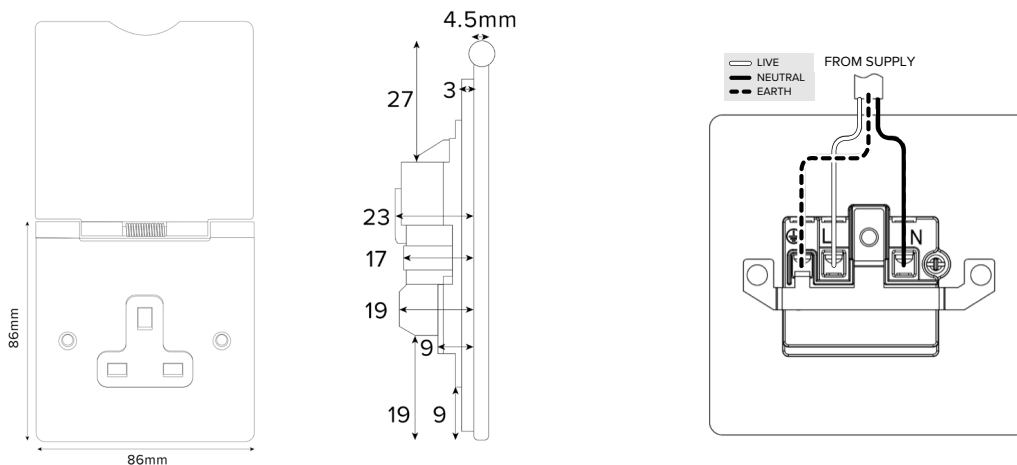


13A 1 Gang Floor Socket - Traditional Plate



TECHNICAL SPECIFICATION

| | |
|-------------------------------|------------------------------------------------------------------------------------------------------------|
| Standard(s) | BS 1363-2 |
| Voltage Rating | 13 Amp, 250V~ |
| Contact Gap | Normal Gap |
| Mounting Box Depth (Min) | 35mm |
| Terminal Capacity | 3 x 2.5mm ² , 3 x 4.0mm ² , 2 x 6.0mm ² |
| Earth Terminal Capacity | 3 x 2.5mm ² , 3 x 4.0mm ² , 2 x 6.0mm ² |
| Outlet Protection Shutter | Yes |
| Fixing Centres | 60.3mm |
| Size | 86mm x 86mm x 3.5mm (Plate thickness) |
| Product Class 1 | Face plate must be earthed |
| Ambient Operating Temperature | -5° to +40°C |
| Recommended Location | Internal Use Only |
| Maximum Installation Altitude | 2000m |
| IP Rating | IP2XD |
| Switched Poles | None |
| Mains Frequency | 50hz - 60hz |
| Trademarks | The Soho Lighting Company is a registered trade mark number: UK00003313349, EU017906396, Date: 25 May 2018 |