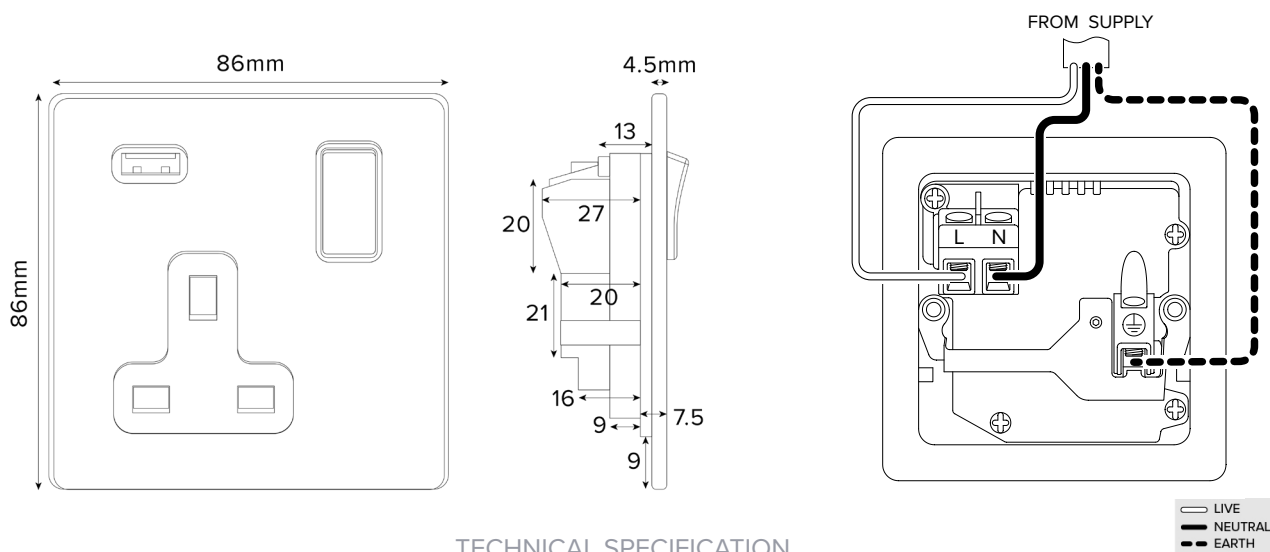


13A 1 Gang DP USB Socket (USB 2.1amp) - Traditional Plate



TECHNICAL SPECIFICATION

Standard(s)	BS 1363-2, BS EN 62368-1, BS EN 62680-1-1
Voltage Rating	13 Amp, 250V~
USB Amperage	2.1 Amp
Contact Gap	Normal Gap
Mounting Box Depth (Min)	35mm
Terminal Capacity	3 x 2.5mm ² , 3 x 4.0mm ² , 2 x 6.0mm ²
Earth Terminal Capacity	3 x 2.5mm ² , 3 x 4.0mm ² , 2 x 6.0mm ²
Outlet Protection Shutter	Yes
Fixing Centres	60.3mm
Size	86mm x 86mm x 4.5mm (Plate thickness)
Product Class 1	Face plate must be earthed
Ambient Operating Temperature	-5° to +40°C
Recommended Location	Internal Use Only
Maximum Installation Altitude	2000m
IP Rating	IP2XD
Switched Poles	Double Pole
Mains Frequency	50hz - 60hz
Contact Gap Minimum	3mm
Trademarks	The Soho Lighting Company is a registered trade mark number: UK00003313349, EU017906396, Date: 25 May 2018