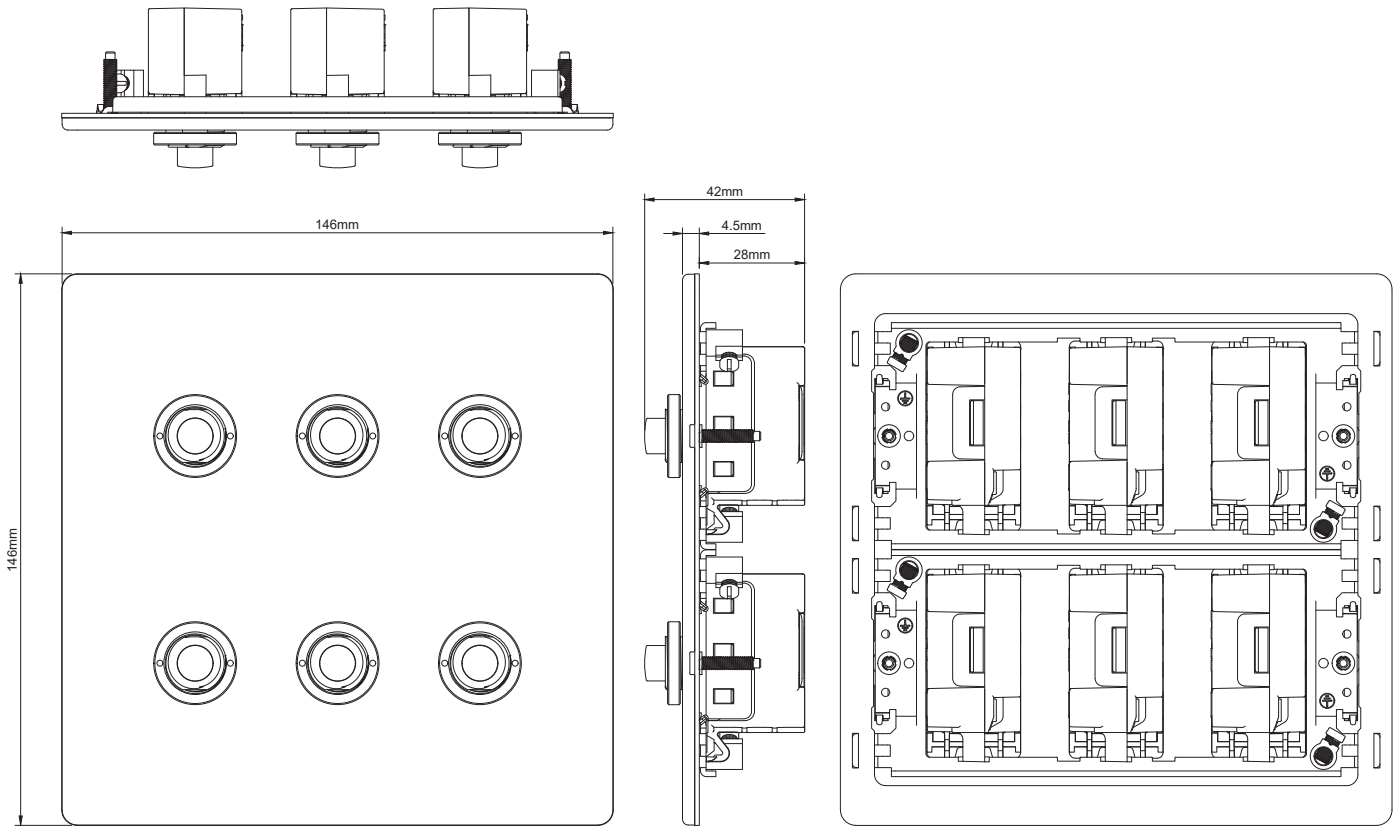
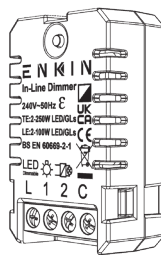


6 Gang 6A SP Dimming Push Button Switch with Enkin IDM250 Traditional Plate



IMPORTANT NOTE: Recommended mounting box depth 47mm

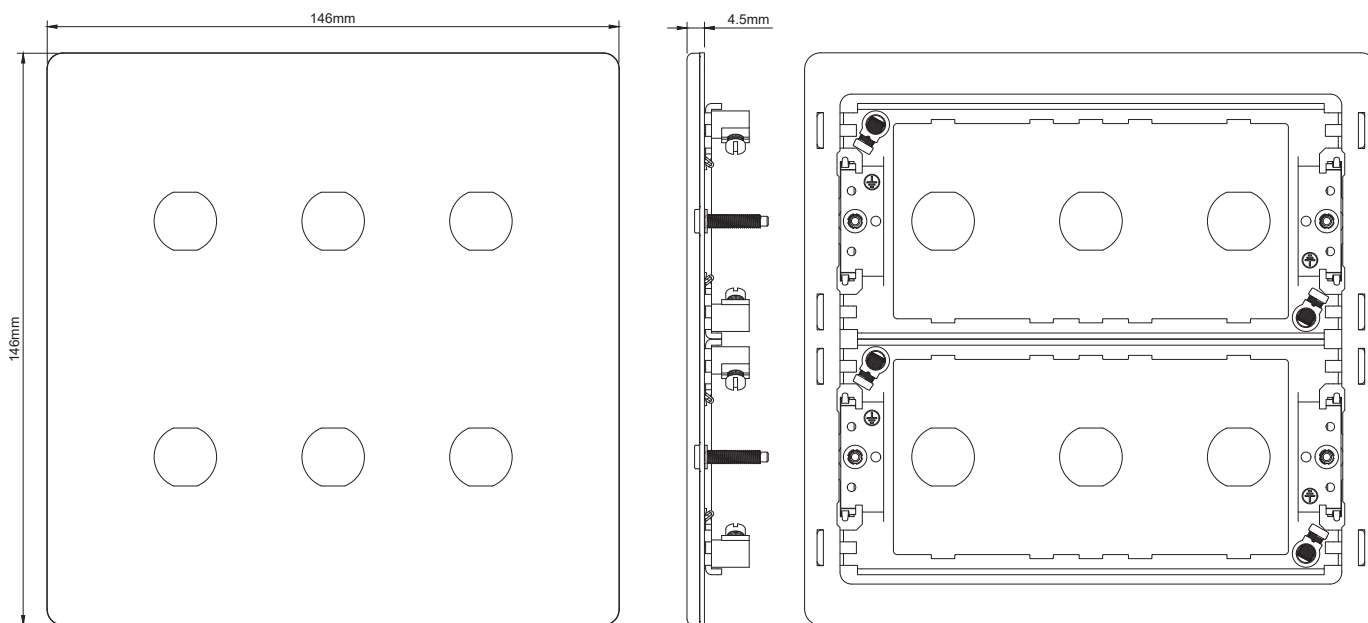


POWERED BY
ENKIN

Contents

| | |
|-------------------|--|
| 20-GRD138 | 6 Gang CM Module Grid Switch Traditional Face Plate + Gasket + Frames |
| 00-SGP211 | 6A SP 2 Way Retractive Push Button CM Grid Switch Module X 6 |
| IDM250 | Enkin 250W Intelligent In-Line Dimmer Module X 6 |
| Trademarks | The Soho Lighting Company is a registered trade mark number: UK00003313349, EU017906396, Date: 25 May 2018 |

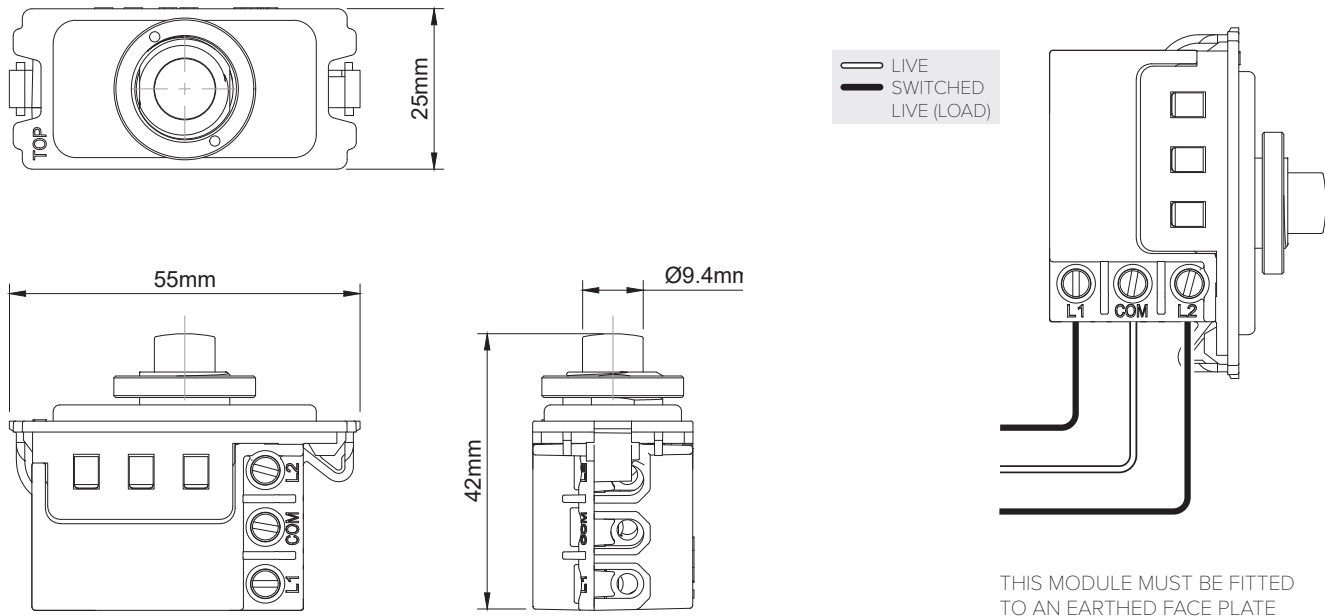
6 Gang CM Module Grid Switch Traditional Face Plate + Gasket + Frames



TECHNICAL SPECIFICATION

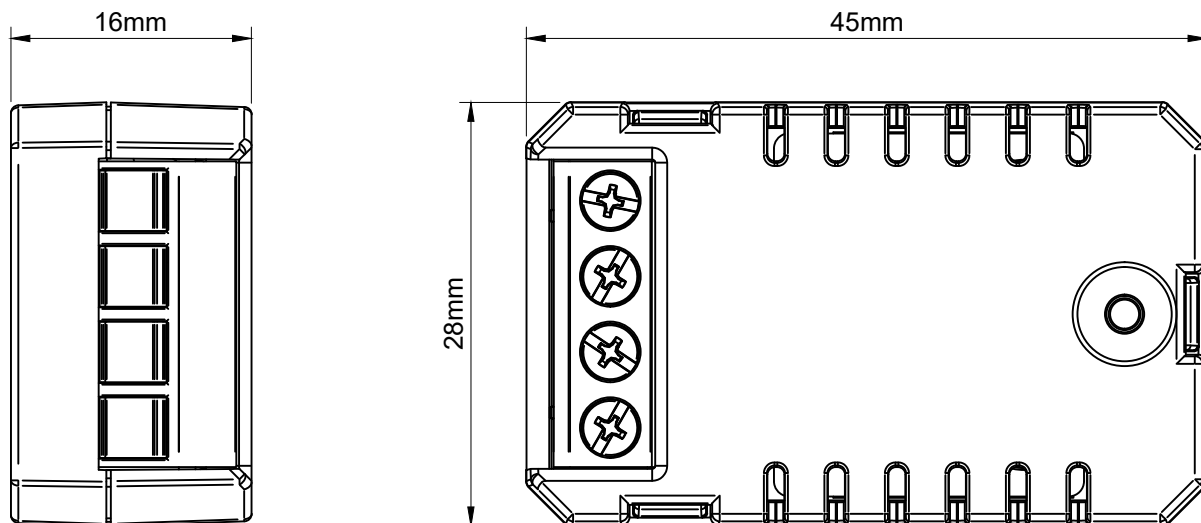
| | |
|-------------------------------|--|
| Standard(s) | BS 5733 (Where Applicable) |
| Mounting Box Depth (Min) | 35mm |
| Earth Terminal Capacity | 3 x 2.5mm ² , 2 x 4.0mm ² , 1 x 6.0mm ² (EARTH) |
| Fixing Centres | 120.6mm |
| Size | 146mm x 146mm x 4.5mm (Plate thickness) |
| Product Class 1 | Product must be earthed |
| Ambient Operating Temperature | -5° to +40°C |
| Recommended Location | Internal Use Only |
| Maximum Installation Altitude | 2000m |
| IP Rating | IP2XD |
| Trademarks | The Soho Lighting Company is a registered trade mark number: UK00003313349, EU017906396, Date: 25 May 2018 |

6A SP 2 Way Retractive Push Button CM Grid Switch Module



TECHNICAL SPECIFICATION

| | |
|-------------------------------|--|
| Standard(s) | BS EN 60669-1 |
| Rating | 6 Amp, 250V~ |
| Switch Type | Single Pole |
| Contact Gap | Normal Gap |
| Terminal Capacity | 3x 1.0mm ² , 2x 1.5mm ² |
| Size | 25mm x 55mm x 42mm |
| Mounting Box Depth (Min) | 35mm |
| Ambient Operating Temperature | -5° to +40°C |
| Recommended Location | Internal Use Only |
| Maximum Installation Altitude | 2000m |
| IP Rating | IP2XD |
| Trademarks | The Soho Lighting Company is a registered trade mark number: UK00003313349, EU017906396, Date: 25 May 2018 |



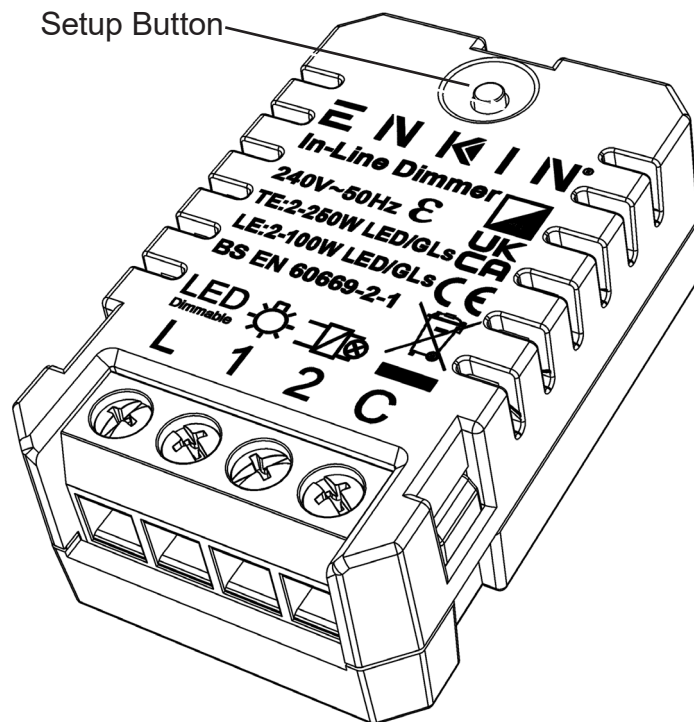
| | |
|--|---|
| Markings & Standard(s) | CE, UKCA, BS EN 60669-2-1 |
| Operating Voltage | 220-240V AC |
| Main Frequency | 50Hz |
| Minimum Load | 2W LED (2W Incandescent / Halogen) |
| Maximum Load | 250W LED (250W Incandescent / Halogen) |
| Switch Type | Multi-way (Retractive switch) |
| Dimming Protocol | Trailing edge & leading edge phase control |
| Mounting Box Depth (Min) | 35mm |
| Terminal Capacity | 1 x 4mm ² / 1 x 2.5mm ² / 3 x 1.5mm ² / 4 x 1mm ² |
| Terminal Markings | L (Load), 1, 2, C (Live) |
| Neutral Required | No |
| Short Circuit Protection | Yes |
| Overload/Overcurrent Protection | Yes |
| Thermal Protection | Yes - Thermal resettable fuse |
| Soft Start | Yes |
| Power Failure | Previous state recall |
| Memory | Non volatile |
| Min/Max Level Setting | Yes - Following a defined procedure |
| Driving Mode | Yes - TE & LE mode Change following a defined procedure |
| Product Dimensions | 48mm x 28mm x 15.9mm |
| Climate Range | 0°C to 40°C, Humidity 0% to 95% non-condensing |
| Recommended Location | Indoor use only |
| Maximum Installation Altitude | 2000m |
| IP Rating | IP2XD |
| Trademarks | Enkin is a registered trademark and trading name of Trade Ivy Ltd. Registered in England Number: 10809945. Copyright © 2024 |



| | |
|------------------------------------|---------------------------------------|
| Operating Voltage | 240V ac |
| Nominal Operating Frequency | 50 Hz |
| Dimming Technique | Trailing & leading edge phase control |
| Compliance | BS EN 60669-2-1 |

| Load Symbol | Compatible Loads | Max Load | Min Load |
|-------------|---|--------------------|----------|
| | Dimmable LED lighting | 250W TE 100W LE | 2W |
| | 240V Incandescent & Halogen lamps | 250W TE 100W LE | 2W |
| | Low voltage lighting with electronic transformers | 250W TE 100W LE | 2W |

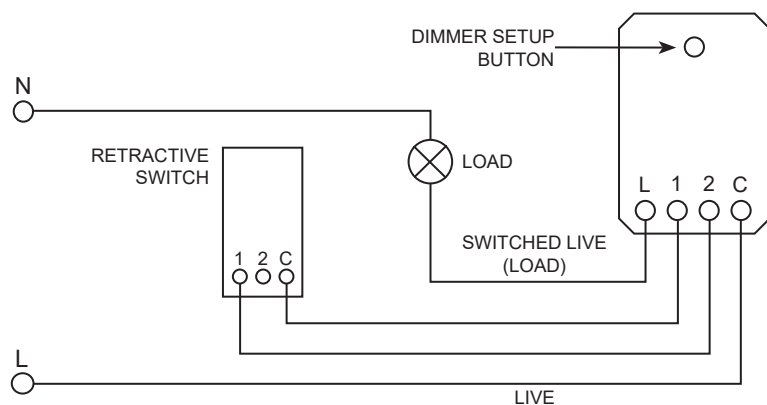
| Multi-Gang Switch De-Rating Chart | | | | |
|-----------------------------------|--------|--------|--------|--------|
| 1 Gang | 2 Gang | 3 Gang | 4 Gang | 5 Gang |
| 250W | 212W | 175W | 137W | 100W |



WIRING EXAMPLES

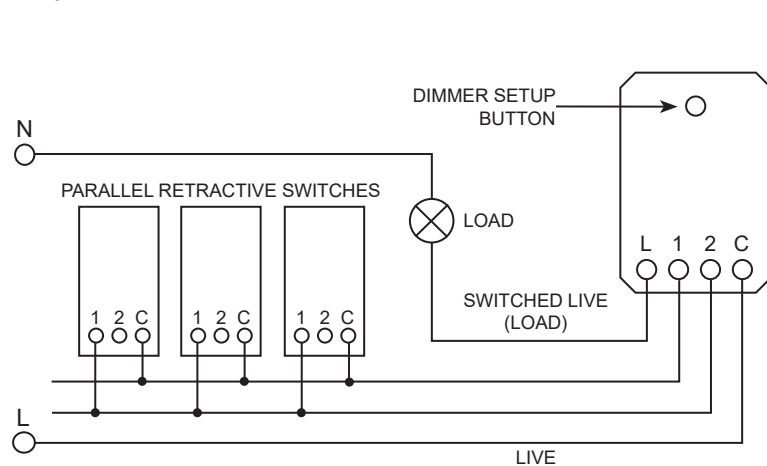
WIRING DIAGRAM

Single Retractive Switch



WIRING DIAGRAM

Multiple Retractive Switches



OPERATING INSTRUCTIONS

On/Off and dimming is achieved with a connected retractive switch, or multiple (parallel) retractive switches, please refer to example circuit diagrams on the other side of this document for details.

A fast click of the retractive switch will turn the lamp (or Load) on and off, holding the switch will alternately dim the lamp up or down, release the switch when desired lamp brightness has been achieved.

NOTE: This product is supplied with a minimum level already set, if this does not work well with your situation, please perform a Factory Reset before setting a minimum level to suit your setup.

The minimum/maximum level and dimming mode can be manually adjusted by following the procedures below.

SETTING THE MINIMUM LEVEL

1. Whilst on, adjust dimmer to your desired minimum brightness.
2. Push the setup button 3 times within 2 seconds.
3. The LEDs will step up and down in brightness once to confirm the setting has been saved.

SETTING THE MAXIMUM LEVEL

1. Whilst on, adjust dimmer to your desired maximum brightness.
2. Push the setup button 5 times within 3 seconds.
3. The LEDs will step up and down in brightness once to confirm the setting has been saved.

FACTORY RESET FOR MIN/MAX BRIGHTNESS

Please note this factory reset will reset all the min and max brightness settings.

1. Whilst on, push the rear setup button 7 times within 5 seconds.
2. The LEDs will step up and down in brightness three times to confirm that the min/max setting has been cleared.

CHANGING THE DIMMING MODE

The default mode of the dimmer is Trailing Edge, but it can be put into Leading Edge if required. Please ensure that you know the correct mode for your lamp.

1. Whilst on, push the setup button 9 times within 5 seconds.
2. The LEDs will step up and down in brightness twice to confirm the setting has been changed to Leading Edge mode.

NOTE:

To switch back to Trailing Edge mode, just repeat the process again, the LEDs will step up and down once to show the dimmer is back in Trailing Edge mode.