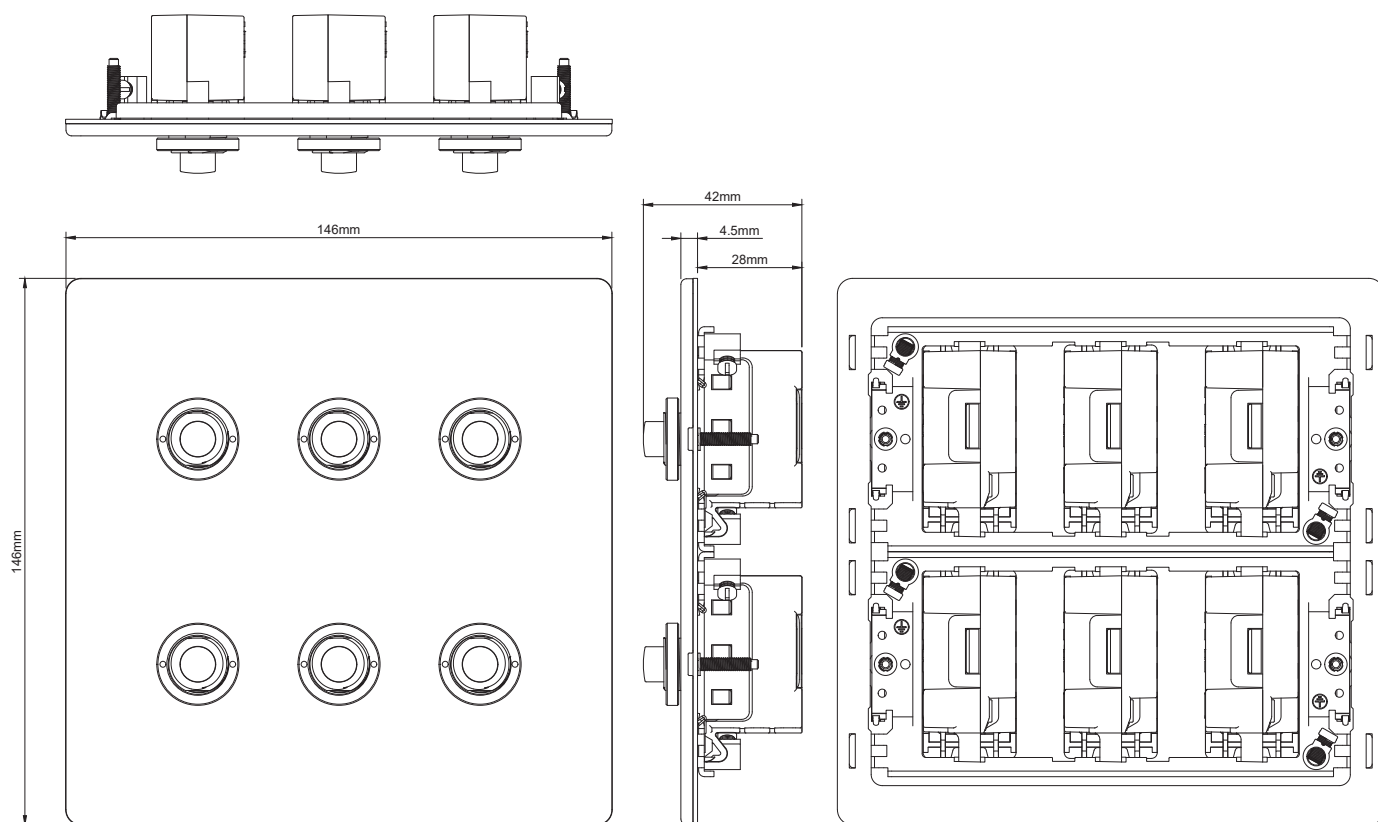


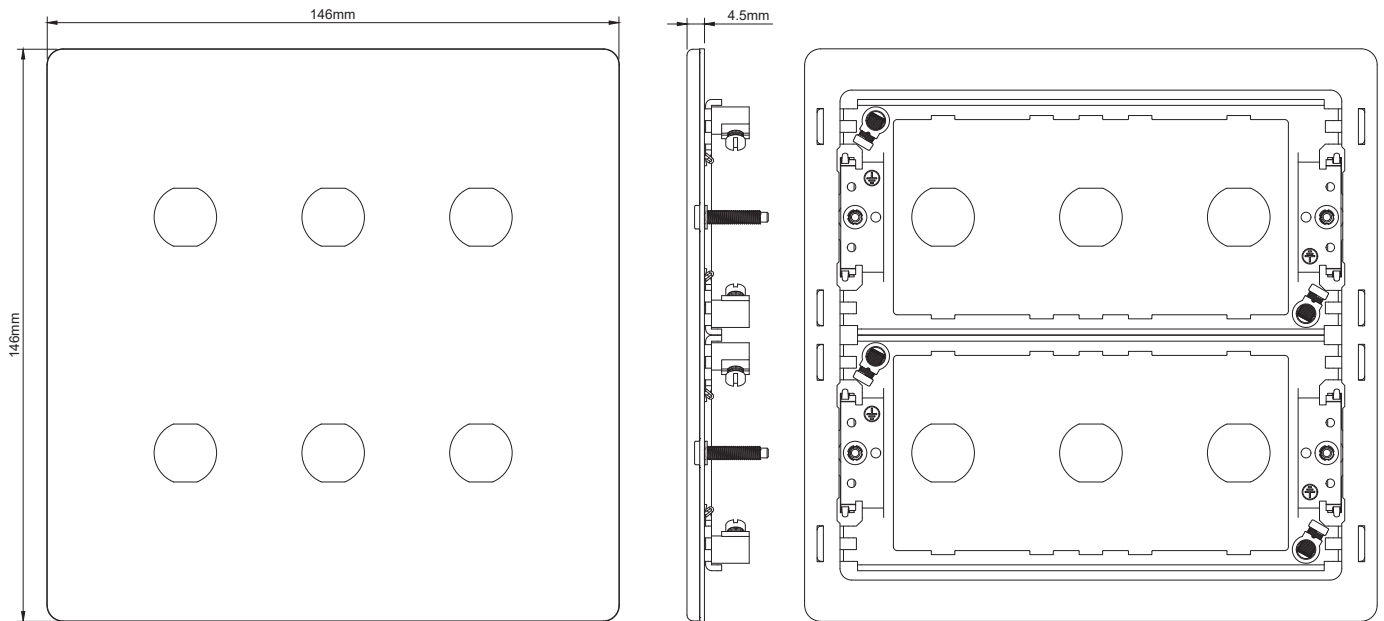
6 Gang 6A SP 2 Way Retractive Push Button Switch Traditional Plate



Contents

20-GRD138	6 Gang CM Module Grid Switch Traditional Face Plate + Gasket + Frames
00-SGP211	6A SP 2 Way Retractive Push Button CM Grid Switch Module X 6
Trademarks	The Soho Lighting Company is a registered trade mark number: UK00003313349, EU017906396, Date: 25 May 2018

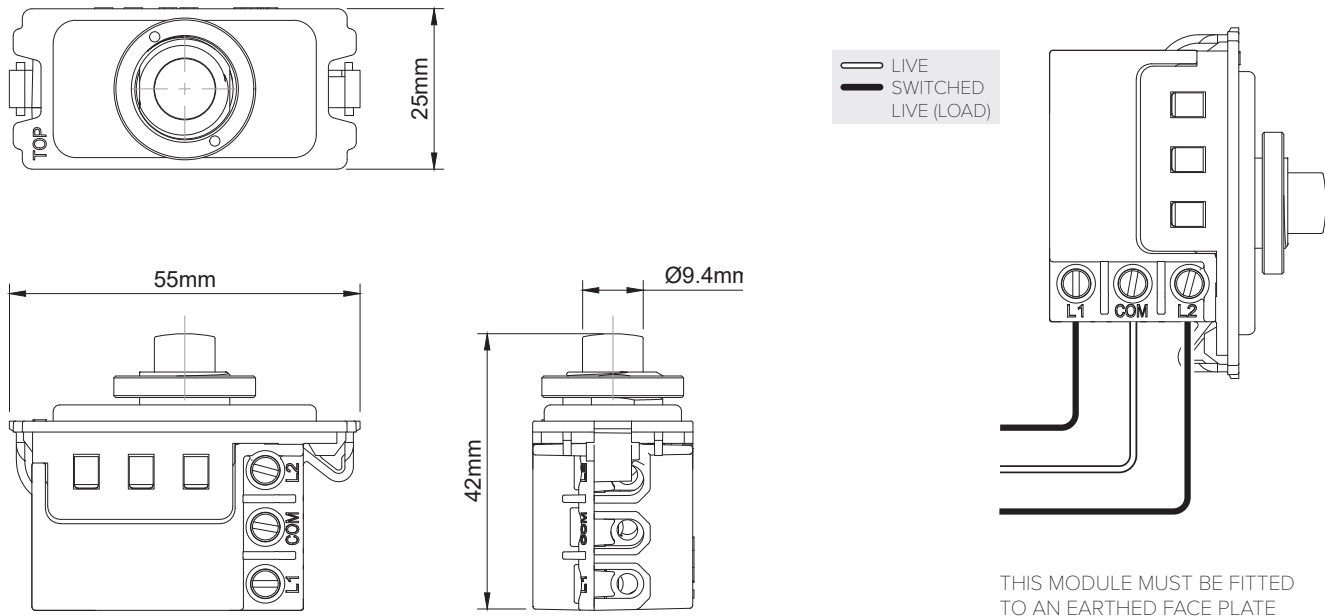
6 Gang CM Module Grid Switch Traditional Face Plate + Gasket + Frames



TECHNICAL SPECIFICATION

Standard(s)	BS 5733 (Where Applicable)
Mounting Box Depth (Min)	35mm
Earth Terminal Capacity	3 x 2.5mm ² , 2 x 4.0mm ² , 1 x 6.0mm ² (EARTH)
Fixing Centres	120.6mm
Size	146mm x 146mm x 4.5mm (Plate thickness)
Product Class 1	Product must be earthed
Ambient Operating Temperature	-5° to +40°C
Recommended Location	Internal Use Only
Maximum Installation Altitude	2000m
IP Rating	IP2XD
Trademarks	The Soho Lighting Company is a registered trade mark number: UK00003313349, EU017906396, Date: 25 May 2018

6A SP 2 Way Retractive Push Button CM Grid Switch Module



TECHNICAL SPECIFICATION

Standard(s)	BS EN 60669-1
Rating	6 Amp, 250V~
Switch Type	Single Pole
Contact Gap	Normal Gap
Terminal Capacity	3x 1.0mm ² , 2x 1.5mm ²
Size	25mm x 55mm x 42mm
Mounting Box Depth (Min)	35mm
Ambient Operating Temperature	-5° to +40°C
Recommended Location	Internal Use Only
Maximum Installation Altitude	2000m
IP Rating	IP2XD
Trademarks	The Soho Lighting Company is a registered trade mark number: UK00003313349, EU017906396, Date: 25 May 2018