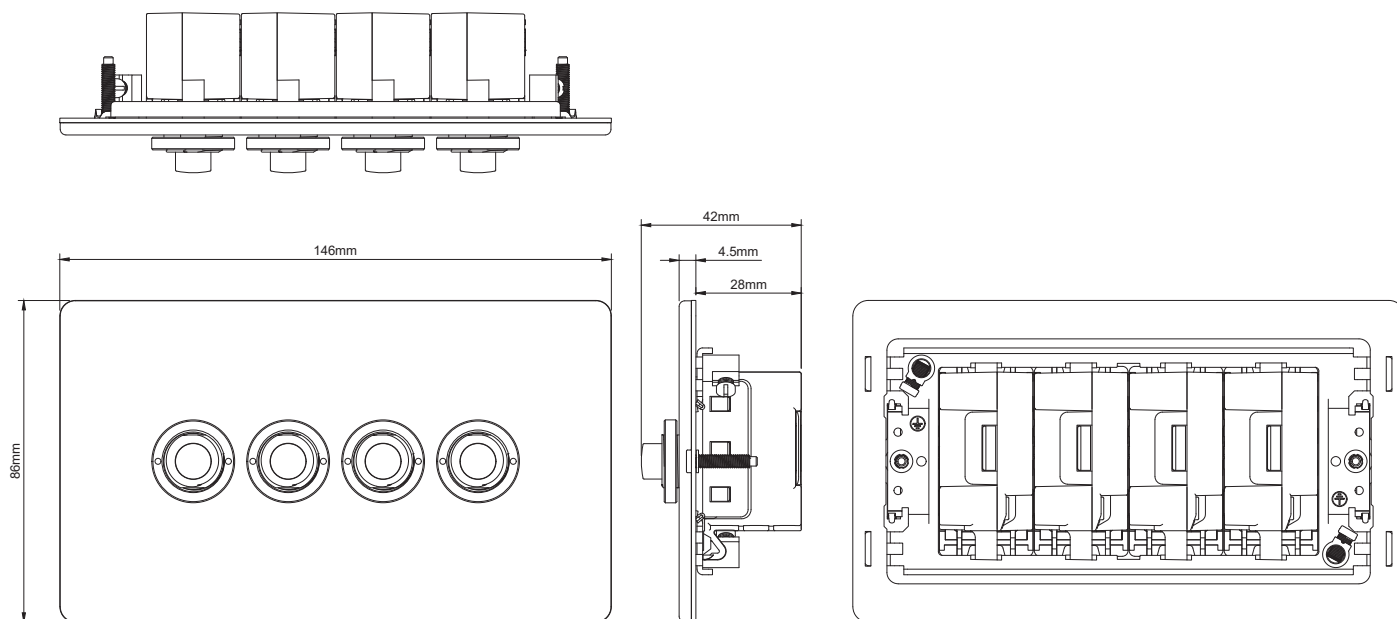


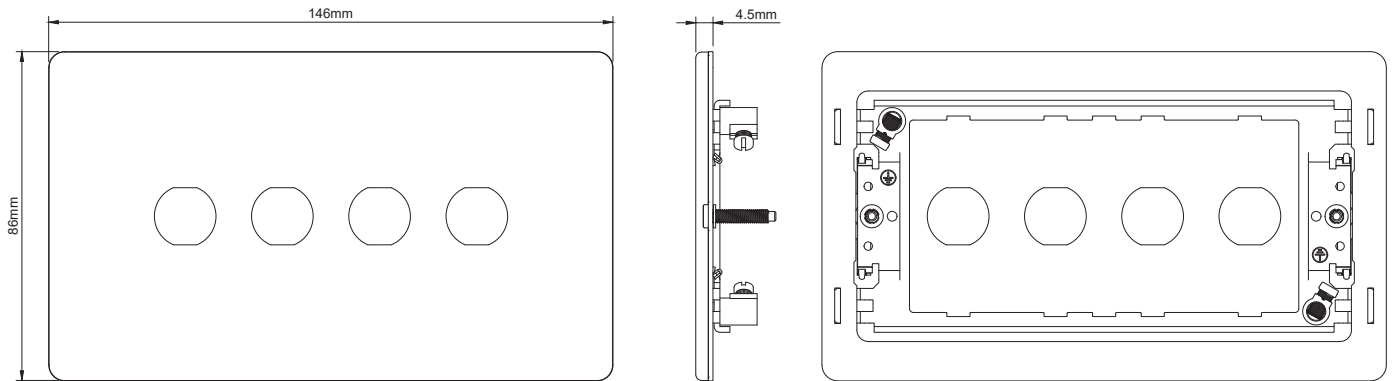
## 4 Gang 6A SP 2 Way Push Button Switch Traditional Plate



### Contents

<b>20-GRD136</b>	4 Gang CM Module Grid Switch Traditional Face Plate + Gasket + Frame
<b>00-SGP501</b>	6A SP 2 Way Push Button CM Grid Switch Module X 4
<b>Trademarks</b>	The Soho Lighting Company is a registered trade mark number: UK00003313349, EU017906396, Date: 25 May 2018

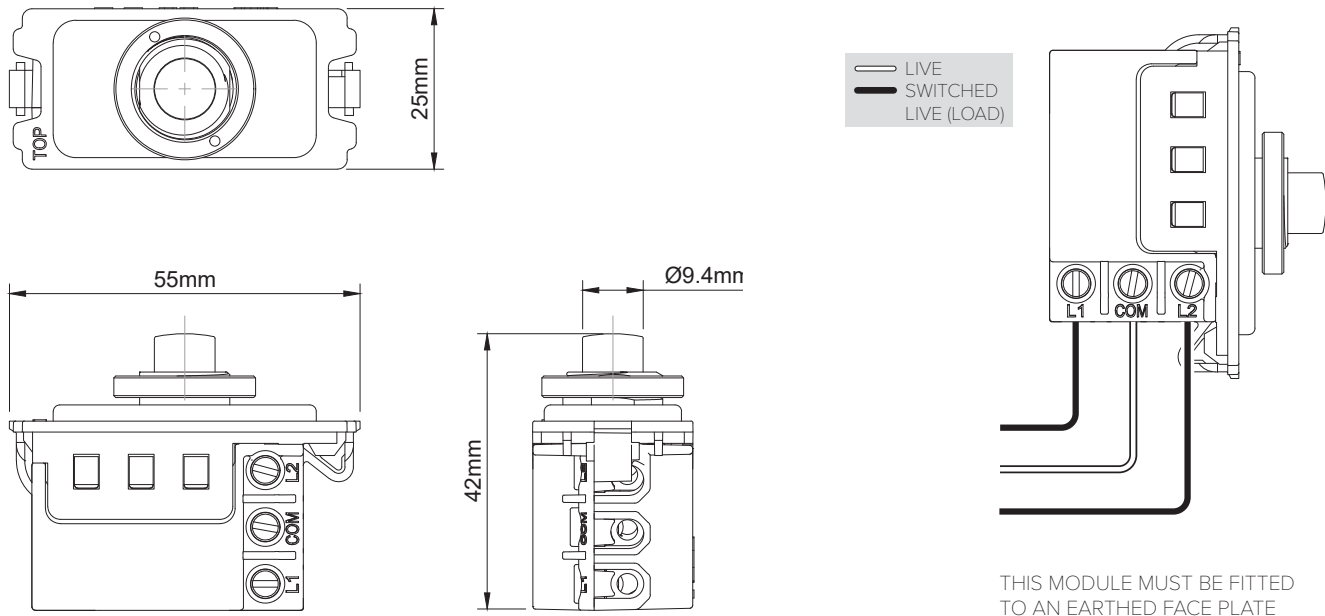
## 4 Gang CM Module Grid Switch Traditional Face Plate + Gasket + Frame



### TECHNICAL SPECIFICATION

Standard(s)	BS 5733 (Where Applicable)
Mounting Box Depth (Min)	35mm
Earth Terminal Capacity	3 x 2.5mm <sup>2</sup> , 2 x 4.0mm <sup>2</sup> , 1 x 6.0mm <sup>2</sup> (EARTH)
Fixing Centres	120.6mm
Size	146mm x 86mm x 4.5mm (Plate thickness)
Product Class 1	Product must be earthed
Ambient Operating Temperature	-5° to +40°C
Recommended Location	Internal Use Only
Maximum Installation Altitude	2000m
IP Rating	IP2XD
Trademarks	The Soho Lighting Company is a registered trade mark number: UK00003313349, EU017906396, Date: 25 May 2018

## 6A SP 2 Way Push Button CM Grid Switch Module



### TECHNICAL SPECIFICATION

Standard(s)	BS EN 60669-1
Rating	6 Amp, 250V~
Switch Type	Single Pole
Contact Gap	Normal Gap
Terminal Capacity	3x 1.0mm <sup>2</sup> , 2x 1.5mm <sup>2</sup>
Size	25mm x 55mm x 42mm
Mounting Box Depth (Min)	35mm
Ambient Operating Temperature	-5° to +40°C
Recommended Location	Internal Use Only
Maximum Installation Altitude	2000m
IP Rating	IP2XD
Trademarks	The Soho Lighting Company is a registered trade mark number: UK00003313349, EU017906396, Date: 25 May 2018