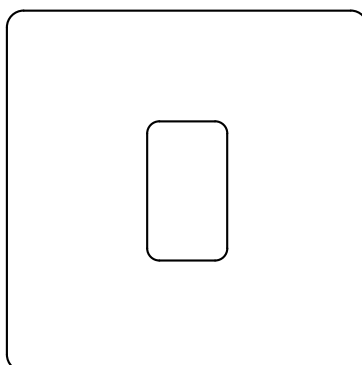
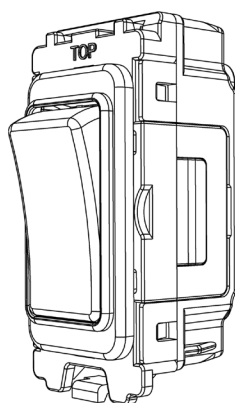


20-LTS161

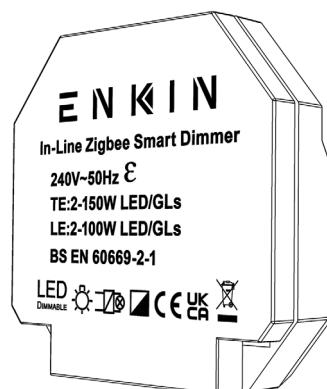
1 Gang 150W Smart Rocker Switch - Traditional



20-GRD101



SGP208



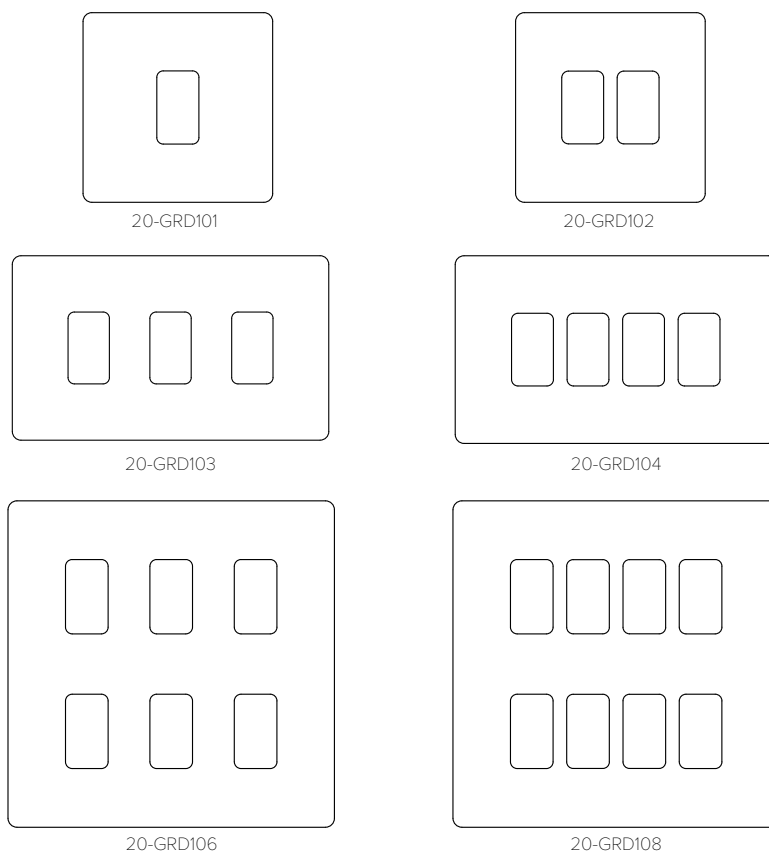
ZDM150

Contents

| | |
|---------------------|---|
| 20-GRD101 | 1 Gang Rectangular Hole Grid Plate - Traditional |
| | <ul style="list-style-type: none"> — 20-PLT101 1 Gang Rectangular Hole Traditional Grid Plate — 20-EDG007 Single Traditional Type Gasket — SGPYLK-12 Single Grid Frame (Yoke) |
| SGP208 | 20A 2 Way Off Retractive Switch - Grid Module |
| Enkin ZDM150 | 150W LED Zigbee Module |
| Trademarks | The Soho Lighting Company is a registered trade mark number: UK00003313349, EU017906396, Date: 25 May 2018 |

POWERED BY
ENKIN

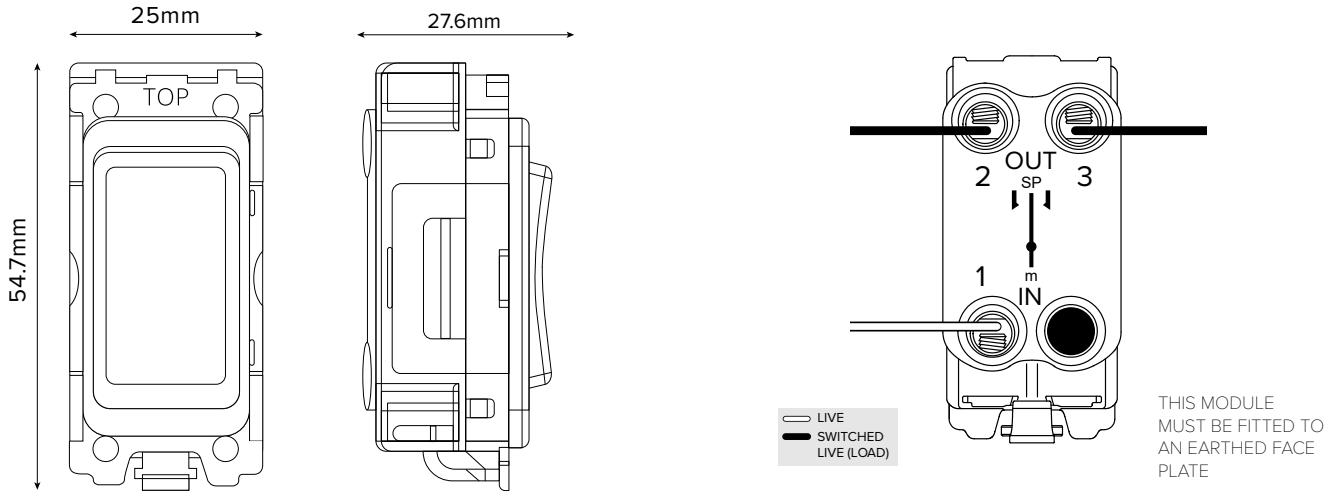
20-GRD101-108



TECHNICAL SPECIFICATION

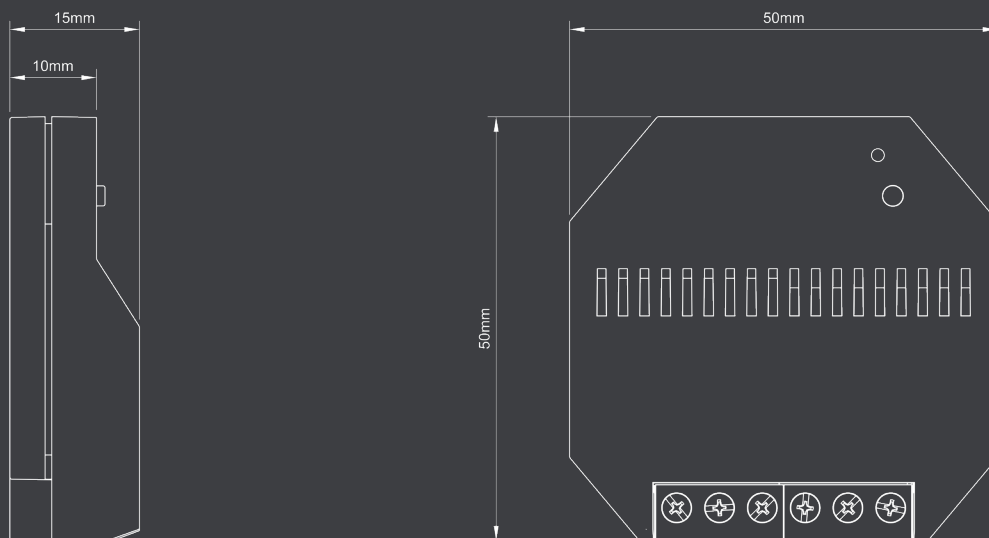
| | |
|----------------------------------|--|
| Standard(s) | BS 5733 (Where Applicable) |
| Mounting Box Depth (Recommended) | 47mm |
| Earth Terminal Capacity | 3 x 2.5mm ² , 2 x 4.0mm ² , 1 x 6.0mm ² (EARTH) |
| Fixing Centres | 60.3mm (Single width) 120.6mm (Double Width) |
| Size - (1 Gang) 20-GRD101 | 86mm x 86mm x 4.5mm (Plate Thickness Inc. Gasket) |
| Size - (2 Gang) 20-GRD102 | 86mm x 86mm x 4.5mm (Plate Thickness Inc. Gasket) |
| Size - (3 Gang) 20-GRD103 | 86mm x 146mm x 4.5mm (Plate Thickness Inc. Gasket) |
| Size - (4 Gang) 20-GRD104 | 86mm x 146mm x 4.5mm (Plate Thickness Inc. Gasket) |
| Size - (6 Gang) 20-GRD106 | 146mm x 146mm x 4.5mm (Plate Thickness Inc. Gasket) |
| Size - (8 Gang) 20-GRD108 | 146mm x 146mm x 4.5mm (Plate Thickness Inc. Gasket) |
| Product Class 1 | Face plate must be earthed |
| Ambient Operating Temperature | -5° to +40°C |
| Recommended Location | Internal Use Only |
| Maximum Installation Altitude | 2000m |
| IP Rating | IP2XD |
| Trademarks | The Soho Lighting Company is a registered trade mark number: UK00003313349, EU017906396, Date: 25 May 2018 |

20A 2 Way Off Retractive Switch - Grid Module



TECHNICAL SPECIFICATION

| | |
|-------------------------------|--|
| Standard(s) | BS EN 60669-1 |
| Voltage Rating | 20 Amp, 250V~ (20AX – no derating for inductive or fluorescent loads) |
| Contact Gap | Mini-gap |
| Mounting Box Depth (Min) | 35mm |
| Terminal Capacity | 4x 1.5mm ² , 2x 2.5mm ² & 1x 4.0mm ² |
| Size | 54.7mm x 25mm x 27.6mm |
| Product Class 1 | Must be fitted to an earthed face plate |
| Ambient Operating Temperature | -5° to +40°C |
| Recommended Location | Internal Use Only |
| Maximum Installation Altitude | 2000m |
| IP Rating | IP2XD |
| Switched Poles | Single |
| Mains Frequency | 50hz - 60hz |
| Contact Gap Minimum | 3mm |
| Trademarks | The Soho Lighting Company is a registered trade mark number: UK00003313349, EU017906396, Date: 25 May 2018 |



| | |
|--|---|
| Markings & Standard(s) | CE, UKCA, BS EN 60669-2-1 |
| Operating Voltage | 220-240V AC |
| Main Frequency | 50Hz |
| Minimum Load | 5W LED (5W Incandescent / Halogen) |
| Maximum Load | 150W LED (150W Incandescent / Halogen) |
| Switch Type | Multi way (retractive switch), (2way up/down retractive switch) |
| Dimming Protocol | Trailing edge & leading edge phase control |
| Mounting Box Depth (Min) | 35mm |
| Terminal Capacity | 1 x 4mm ² / 1 x 2.5mm ² / 3 x 1.5mm ² / 4 x 1mm ² |
| Terminal Markings | 2 x 'C' (live), '1' x L (load), '1' x for one way push retractive switch, '2' x for 2 way retractive switch |
| Neutral Required | No |
| Short Circuit Protection | Yes |
| Overload/Overcurrent Protection | Yes |
| Thermal Protection | Yes - Thermal resettable fuse |
| Soft Start | Yes |
| Power Failure | Previous state recall |
| Memory | Yes, non volatile |
| Min/Max Level Setting | Yes - Following a defined procedure |
| Driving Mode | Yes - TE & LE mode change following a defined procedure |
| Product Dimensions | 50mm x 49.5mm x 15.1mm |
| Climate Range | 0°C to 40°C, Humidity 0% to 95% non-condensing |
| Recommended Location | Indoor use only |
| Maximum Installation Altitude | 2000m |
| IP Rating | IP2XD |
| Trademarks | Enkin is a trading name of Trade Ivy. Registered in England Number: 10809945. Copyright © 2021 |



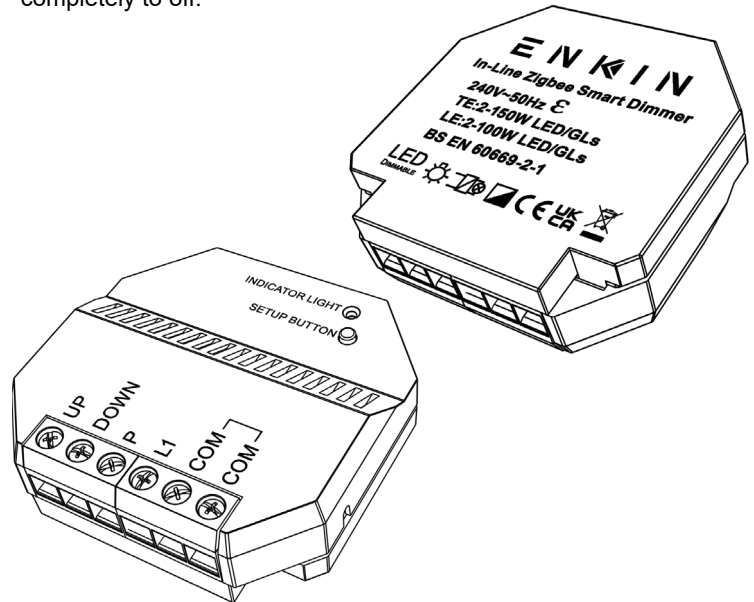
| | |
|--------------------------------|---------------------------------------|
| Operating Voltage | 240V ac |
| Nominal Operating Freq. | 50 Hz |
| Dimming Technique | Trailing & Leading Edge Phase Control |
| Compliance | BS EN 60669-2-1 |

| Load Symbol | Compatible Loads | Max Load | Min Load |
|-------------|---|--------------------|----------|
| | Dimmable LED lighting | 150W TE 100W LE | 2W |
| | 240V Incandescent & Halogen lamps | 150W TE 100W LE | 2W |
| | Low voltage lighting with electronic transformers | 150W TE 100W LE | 2W |

| Multi-Gang Switch De-Rating Chart | | | | |
|-----------------------------------|--------|--------|--------|--------|
| 1 Gang | 2 Gang | 3 Gang | 4 Gang | 5 Gang |
| 150W | 127W | 105W | 82W | 60W |

IMPORTANT NOTE:

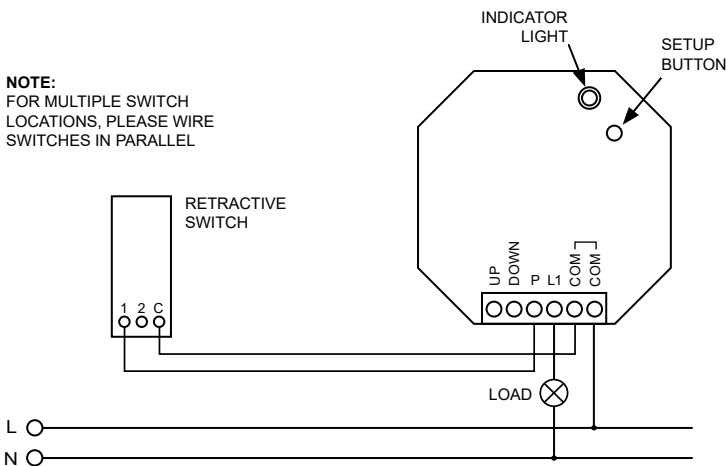
Some driverless products can still operate with a small amount of residual current present, such as LED strip lighting etc, it may be necessary to fit a bypass device to allow this product to dim completely to off.



WIRING EXAMPLES

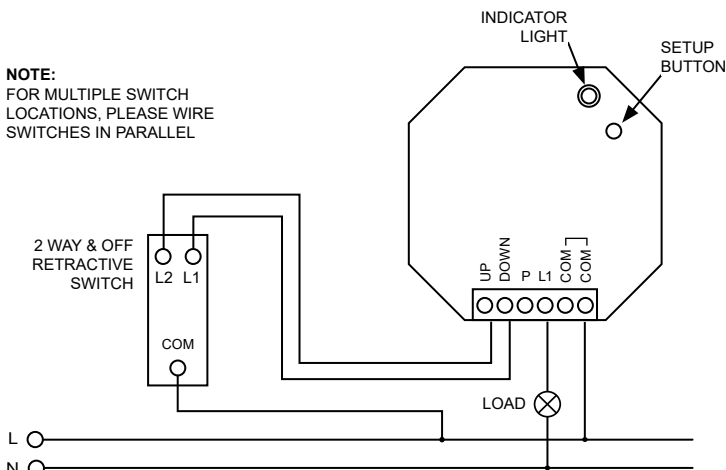
ONE-WAY PUSH RETRACTIVE SWITCH WIRING

NOTE:
FOR MULTIPLE SWITCH LOCATIONS, PLEASE WIRE SWITCHES IN PARALLEL



TWO-WAY & OFF PUSH RETRACTIVE SWITCH WIRING

NOTE:
FOR MULTIPLE SWITCH LOCATIONS, PLEASE WIRE SWITCHES IN PARALLEL



DIMMER SETUP

Manual control of the On/Off function and dimming up and down can be achieved with a connected retractive switch, or multiple (parallel) retractive switches. Please refer to example circuit diagrams to the left of this text for some connection examples.

A fast click of the retractive switch will turn the lamp (or Load) on and off, holding the switch will alternately dim the lamp up or down, release the switch when desired lamp brightness has been achieved.

The minimum/maximum level and dimming mode can be manually adjusted by following the procedures below.

SETTING THE MINIMUM LEVEL

1. Whilst on, adjust dimmer to your desired minimum brightness.
2. Push the rear setup button 3 times within 2 seconds.
3. The LEDs will step up and down in brightness once to confirm the setting has been saved.

SETTING THE MAXIMUM LEVEL

1. Whilst on, adjust dimmer to your desired maximum brightness.
2. Push the rear setup button 5 times within 3 seconds.
3. The LEDs will step up and down in brightness once to confirm the setting has been saved.

FACTORY RESET FOR MIN/MAX BRIGHTNESS

1. Please note this factory reset will reset all the min and max brightness settings.
2. Whilst on, push the rear setup button 7 times within 5 seconds.
3. The LEDs will step up and down in brightness three times to confirm that the min/max setting has been cleared.

CHANGING THE DIMMING MODE

The default mode of the dimmer is Trailing Edge, but it can be put into Leading Edge if required. Please ensure that you know the correct mode for your lamp.

1. Whilst on, push the rear setup button 9 times within 5 seconds.
2. The LEDs will step up and down in brightness twice to confirm the setting has been changed to Leading Edge mode.

NOTE:

To switch back to Trailing Edge mode, just repeat the process again, the LEDs will step up and down once to show the dimmer is back in Trailing Edge mode.