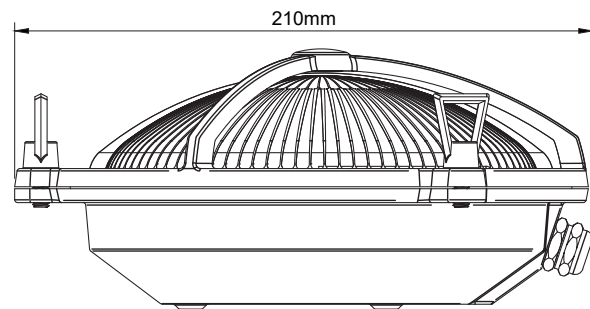
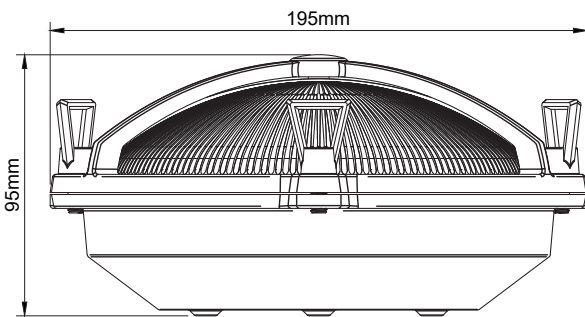


NOTE: Dimensions and weights may vary slightly due to the hand made nature of the production process.

Top View - With cage & glass removed



**11-WLT357 Carlisle IP65 Trine Prismatic Glass Wall Light**

Version No 1.0

Standards EN 60598

Voltage 220-240V~

Frequency AC Current 50Hz

Supply Connection Terminal Block/Quick Connect

Appliance (Protection) Class (I,II,III) Class I

Max Bulb Wattage 20W

Bulb Fitting E27

Number of Bulbs 1.0

Supplied with Bulbs No

IP Rating IP65

Full Product Weight 2.09Kg

Full Product Height 210mm

Full Product Width 195mm

Full Product Depth 95mm

Boxed Weight 2.43Kg

Boxed Height 200mm

Boxed Width 305mm

Boxed Depth 305mm

Recommended Location IP65 outdoor & bathroom

Trademarks The Soho Lighting Company. Registered trade mark number: UK00003313349, EU017906396, Date: 25 May 2018