

# INSTRUCTIONS

LT-SH-11-PEN309 (all finishes)

Bulb Fitting: E14, Max. 40W, 220-240V~50Hz

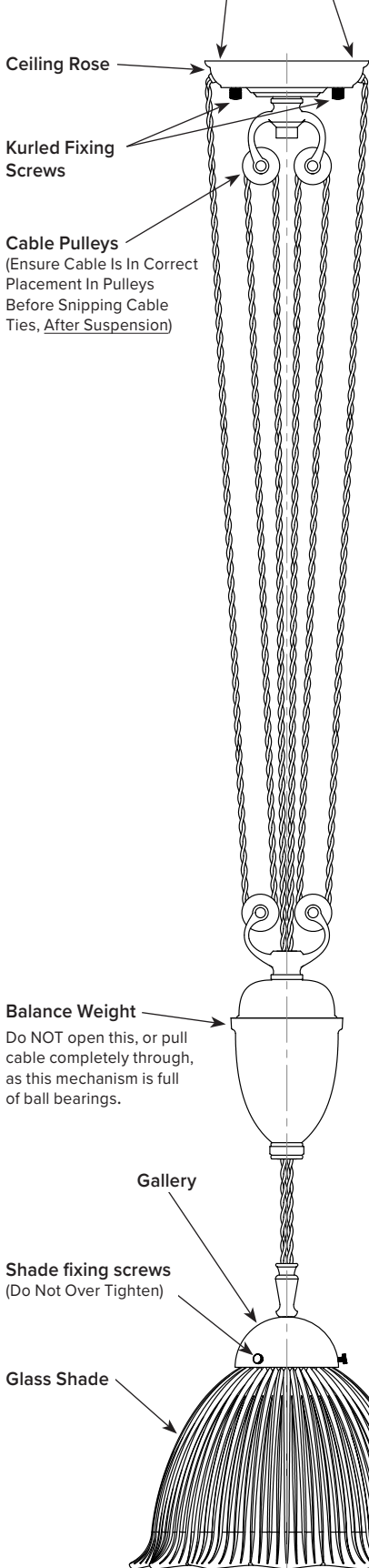


**IMPORTANT!** Please read these instructions fully before attempting to fit this product, refer to reverse of these instructions to understand all symbols.

**WARNING:** ENSURE THE ELECTRICAL SUPPLY TO THE WIRES YOU ARE WORKING ON IS SHUT OFF COMPLETELY; EITHER BY REMOVING THE FUSE OR TURNING OFF THE CIRCUIT BREAKER. TURNING THE POWER OFF USING THE LIGHT SWITCH IS INSUFFICIENT PROTECTION AGAINST ELECTRIC SHOCK.

**NOTE:** These important safeguards and instructions are not meant to cover all possible conditions or situations that may occur. It must be understood that common sense, caution, and care, are factors that must be supplied by the person(s) installing this product.

**Note:** Cable trimming (if required) must be performed at these points, then re-secured, evenly using the two plastic Cable Securing Loops inside the Rose. See page 2 for details.



**WARNING:** Product weight 8.10kg, requires more than one person for safe installation.

**WARNING:** Plastic bags can be dangerous, to avoid danger of suffocation keep them away from children or babies. Please dispose of packaging responsibly and recycle product at end of life.

**IMPORTANT:** Electric current can kill, always turn off the electricity supply before fitting. It is essential that this light is fitted by an experienced professional.

**IMPORTANT:** This light must be fixed to a secure steel/wood/concrete structure that will safely bear its weight and from which it cannot become loose. Fixing to plasterboard is strictly NOT recommended. The supplied fixings will not be suitable for all situations, please ensure you use the correct fixings for your building fabric.

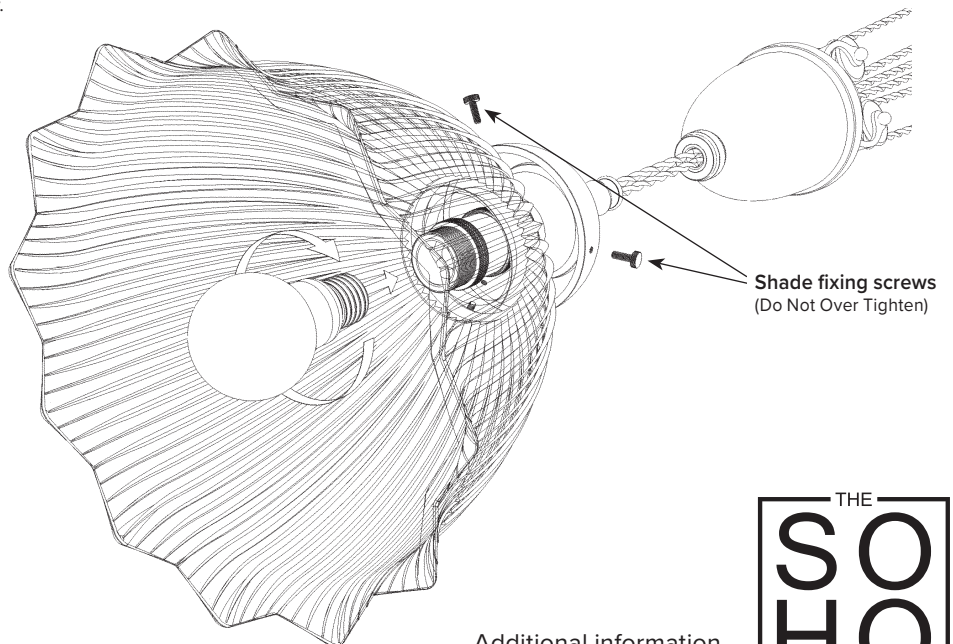
**IMPORTANT:** Before fitting, if the product appears damaged in any way, do not use and refer to the retailer.

**Cable Trimming Note:** This should be undertaken by a suitably qualified and experienced person. If desired, the cable length can be adjusted by evenly trimming the cables to the required length leaving enough to comfortably fit the Connector Block, making sure that you can correctly locate the LIVE, EARTH & NEUTRAL after they have been cut. Re-secure cables in the same way in which the product is supplied using the plastic Cable Securing Loops inside the Ceiling Rose, see diagram 1 for details. The Steel Cable Core can also be trimmed to required length, but ensure you have sufficient length to loop through the mounting bracket and the two clamp fixings as shown in diagrams 2a and 2b.

1. Turn off electric supply.
2. Fit the Mounting Bracket to a secure, solid structure using the correct fixings for your substrate as described above.
3. Once the Mounting Bracket is fixed, temporarily suspend the lamp from the bracket using suitable cable ties (or similar) capable of supporting the weight.
4. Connect the Connection Block to mains electrical supply cable, making sure to also connect the Rose Mounting Bracket Earth lead to Earth.
5. Thread the Steel Cable Core through the Cable Clamps and Mounting Bracket and tighten Clamp screws using a Allen Key supplied.
6. While manually supporting the lamp, remove any temporary supporting ties that were used when connecting the cables, then securely fit the rose to the Mounting Bracket using the two Knurled Fixing Screws. This will require at least two persons, ensuring that the weight of the light is well supported throughout the process.
6. Remove any cable ties holding the cables together, taking care not to cut the cable.
7. Carefully fit the Glass Shade to the Gallery using the three Shade Fixing Screws, taking care not to over tighten them against the glass. Fit a suitable E14 LED bulb to socket.

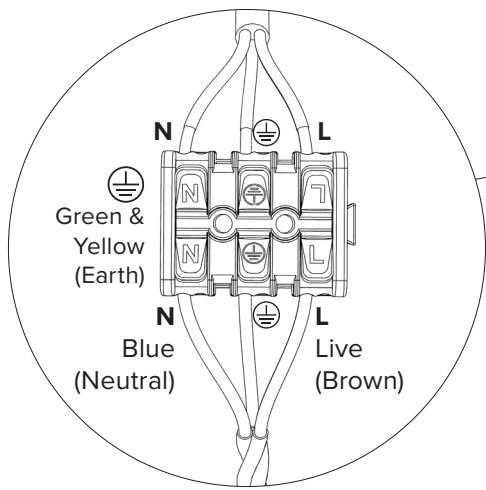
**Rise & Fall Adjustment:** Once installed the position of the shade may be adjusted by gently pulling the Balance Weight down to shorten the height or push up to increase the height.

**Cable loose from Pulley:** Switch off electrical supply at the fuse. With assistance, manually support the Shade/Gallery and Balance Weight to allow the cable to become slack, reposition the cable into the pulley guide rollers, take care to ensure cable/pulleys are free from fingers/obstructions before allowing the Balance Weight, Shade/Gallery to hang freely.

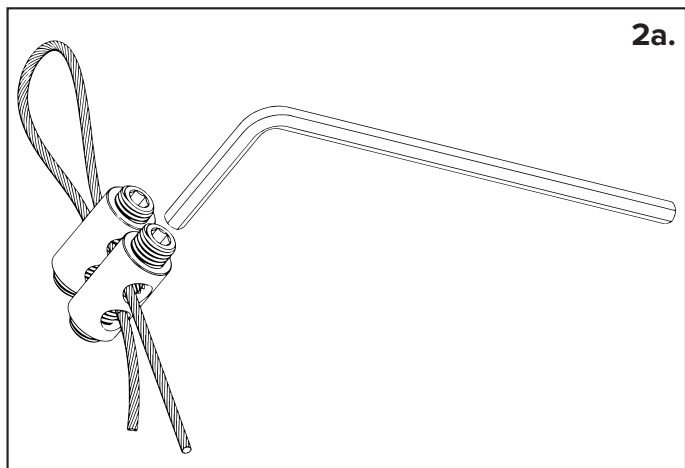
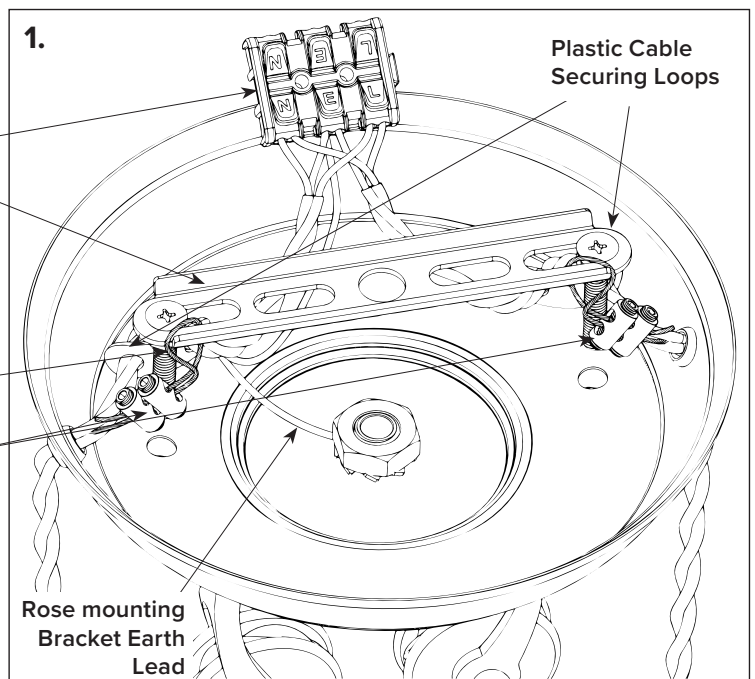


Additional information  
can be found at [soholighting.com](http://soholighting.com)  
or on request via email: [info@soholighting.com](mailto:info@soholighting.com)

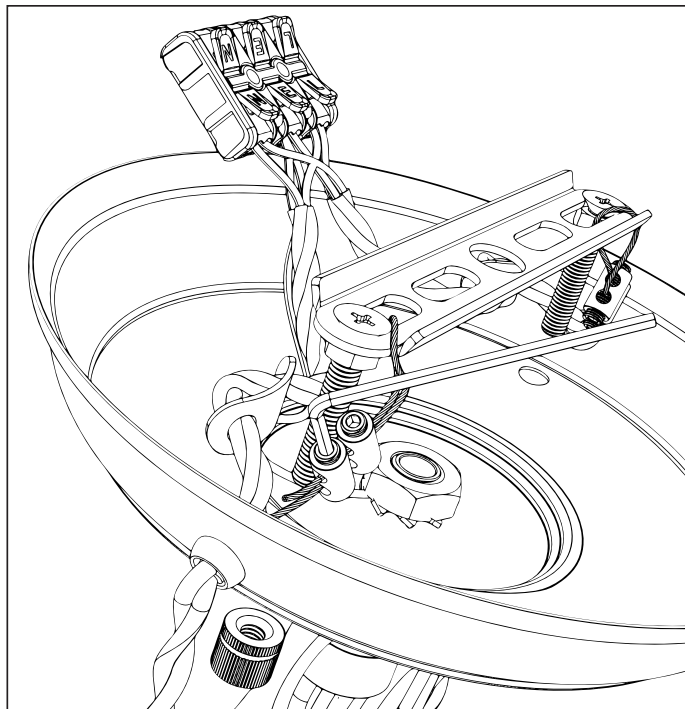
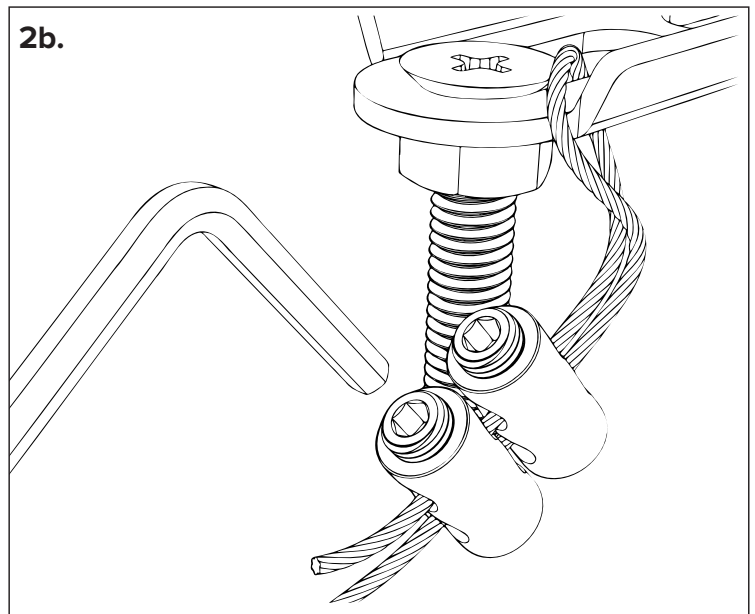




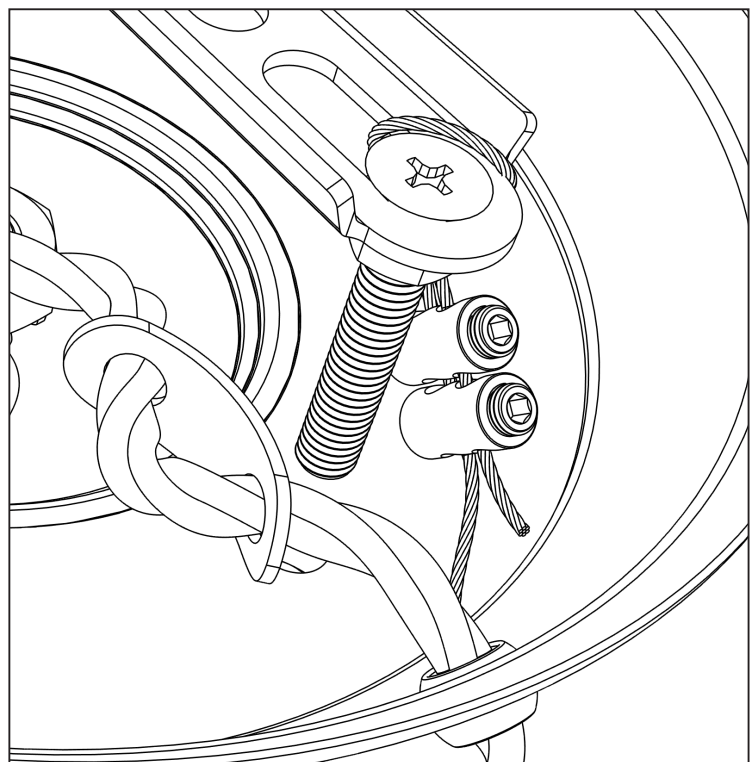
**Connector Block Detail**



Using two clamps per cable, securely anchor the steel core of the cables to a convenient location on the Rose Mounting Bracket.



Some adjustment of the Steel Cable Core and Plastic Cable Securing loops may be required before a good balance is achieved.





# GENERAL SAFETY INFORMATION

**WARNING! Danger of electric shock!**

**Defective electrical installation may cause electric shock.**



**Electrical installations of products with connection terminals for installation on the mains connection line are to be performed by an electrician! Please note! Before proceeding with any electrical installation, the mains connecting cable must be de-energized (fuse turned off). Please note the following symbols and safety information in order to avoid damage caused by incorrect assembly or use:**

**Changes:** Do not make any changes to the lamp or its connecting cable. Unless specified otherwise.

**Commissioning:** Do not operate product if any cable or connecting cable show visible signs of damage.

**Changing illuminant (lamp/bulb):** Before replacing the illuminant ensure that the light is not live! Lights and illuminants may become hot in operation. Allow them to cool before a change. Use only the illuminant specified on the light. The maximum power per illuminant may not be exceeded. Also, if applicable, the prescribed illuminant type must be observed.

**Care advice:** Only clean product when turned off, do not allow any moisture into connecting areas or on current-carrying parts. Cleaning agents may cause staining.

	Protection class 1: For products with this symbol connect the mains supply side with the yellow/green (earth) protective conductor to the protective earth terminal.		The product conforms to required CE standards.
	Protection class 2: For products with this symbol no protective conductor is necessary for safe operation.		The LED light source cannot be replaced.
	Protection class 3: Only operate products with this symbol with Safety Extra Low Voltage (SELV). Only connect to SELV circuits.		The control gear cannot be replaced.
	Minimum distance: This symbol explains the minimum distance of the illuminant to the illuminated, normally flammable surface.		The light source can only be replaced by a professional.
	Luminaire not suitable for covering with thermally insulated material: Follow the minimum clearance distance guidance in the instructions. <b>WARNING: RISK OF OVERHEATING OR FIRE IF THE CLEARANCE IS COMPROMISED.</b>		The LED light source can only be replaced by a professional.
	WEEE Waste Disposal: To ensure products are recycled without hazard to the environment, DO NOT dispose of electrical or electronic products carrying this symbol as household waste. Contact your local council for collection and recycling schemes in your area.		The control gear can only be replaced by a professional.
	Recessed luminaire not suitable for mounting in normally flammable surfaces: Do not install products with this symbol on flammable/combustible surfaces.		The light source can be replaced by an end user.
	Replace any cracked protective shield/glass: Check product and replace any cracked protective shield/glass.		The LED light source can be replaced by an end user.
	Indoor use only: This symbols means the product has no protection against ingress of water. Only install in dry, closed indoor locations.		The control gear can be replaced by an end user.
	Luminaire only designed to be used with GU10 LED, self-shielded tungsten halogen or self-shielded metal halide lamp.		This product contains (a) light source(s) of energy efficiency class A, B, C, D, E, F or G depending on which letter is displayed.
	Warning electrical shock.		Ingress Protection: Protected against solid objects greater than 1mm in size. Protected against water splashing from any angle. Product is suitable for bathroom zones 2 & 3.
	Caution: Observe warnings and safety information.		Ingress Protection: Protected against access to hazardous parts. Dust-tight. Protected against powerful water jets from any angle. Product is suitable for outdoor and bathrooms.
	The product conforms to required UKCA standards.		Ingress Protection: Protected against access to hazardous parts. Dust-tight. Product protected against submersion as specified, e.g. continuous submersion, up to 3M.