

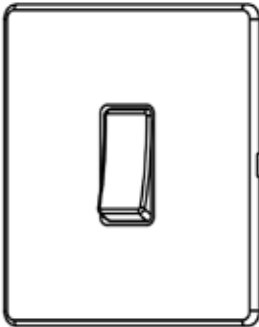


Technical Data 10Amp 10AX Switches

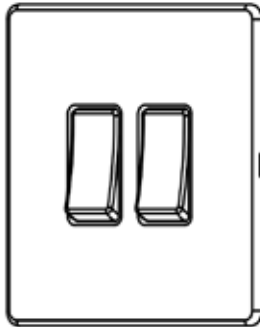
Product Codes and Descriptions

Code:	Description:	Code:	Description:
EC-P3012	10AX 1G 2W Switch	EC-P3062	10AX 6G 2W Switch
EC-P3022	10AX 2G 2W Switch	EC-P3130	10AX 1G Intermediate
EC-P3032	10AX 3G 2W Switch	EC-P3111	10A 1G 1W Fan Isolator
EC-P3042	10AX 4G 2W Switch		

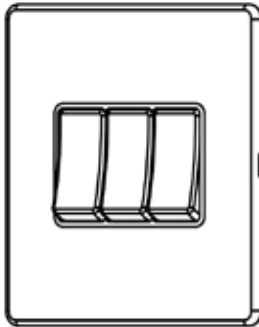
EC-P3012/3130



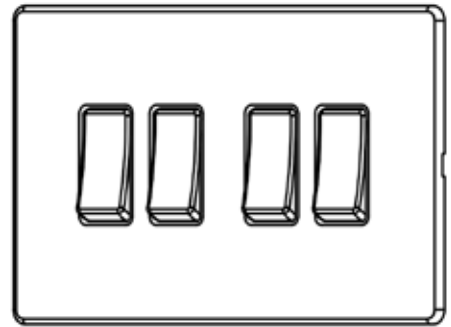
EC-P3022



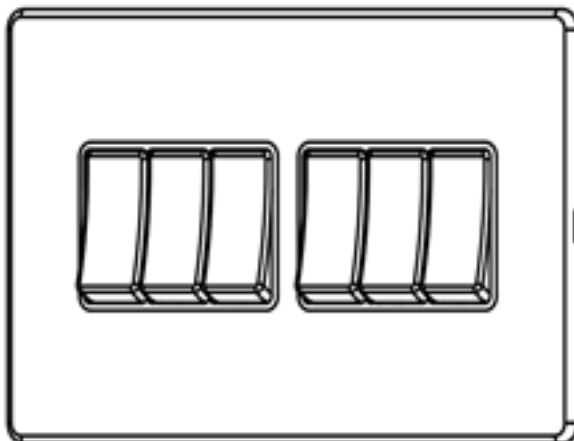
EC-P3032



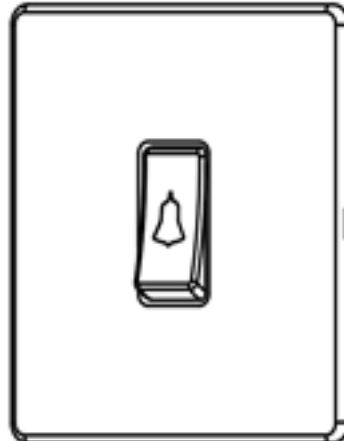
EC-P3042



EC-P3062

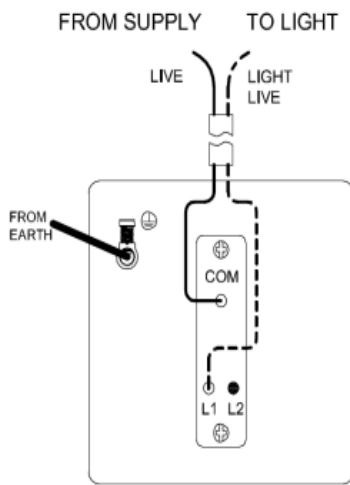


EC-P3000B

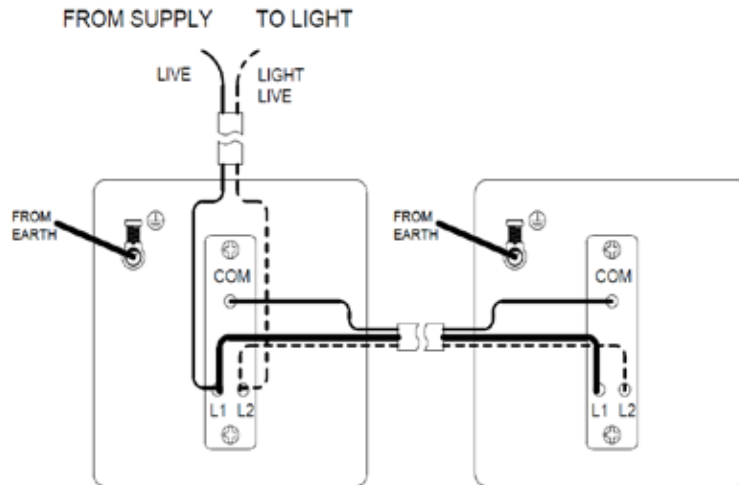


Technical Specifications	
Standard(s)	BS EN 60669-1
Rating	10 A(X), 250V~
Switch Type	Single Pole
Contact Gap	3mm
Terminal Capacity	4 x 1.0mm ² , 4 x 1.5mm ² , 2 x 2.5mm ² , 1 x 4.0mm ²
Mounting Box Depth (Min)	25mm
Fixing Centres	60.3mm,120.6mm
Size	86mmx86mmx4.5mmPlate thickness,86mmx146mmx4.5mmPlate thickness
Product Class 1	Face plate must be earthed
Ambient Operating Temperature	-5° to +40°C
Recommended Location	Internal Use Only
Maximum Installation Altitude	2000m
IP Rating	IP2XD
Terminal Capacity	4 x 1.0mm ² , 4 x 1.5mm ² , 2 x 2.5mm ² , 1 x 4.0mm ²

1 Way Switch



2 Way Switch



Intermediate Switch

