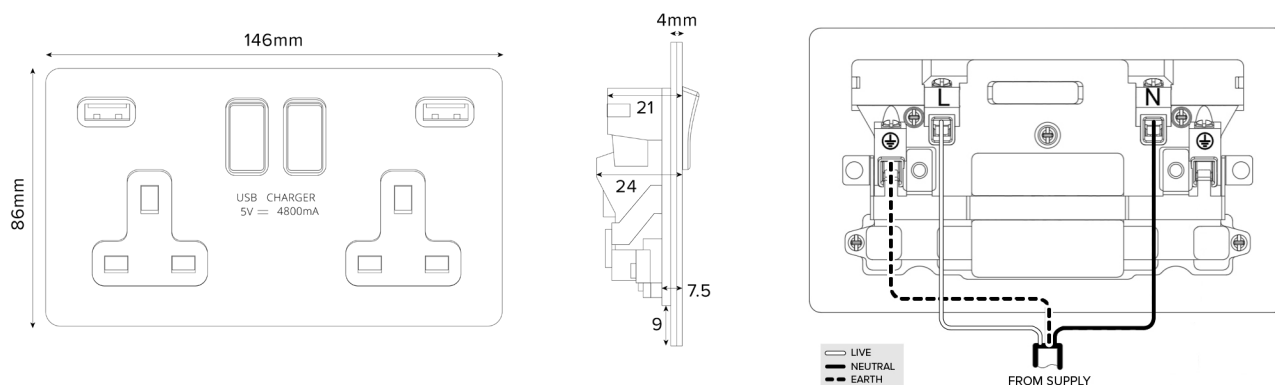


## 13A 2 Gang DP USB Socket (USB 4.8amp) - Flat Plate



### TECHNICAL SPECIFICATION

|                               |  |
|-------------------------------|--|
| Standard(s)                   | BS 1363-2, BS EN 62368-1, BS EN 62680-1-1  |
| Voltage Rating                | 13 Amp, 250V <sup>~</sup>  |
| USB Amperage                  | 4.8 Amp  |
| Contact Gap                   | Normal Gap   |
| Mounting Box Depth (Min)      | 35mm   |
| Terminal Capacity             | 3 x 2.5mm <sup>2</sup> , 3 x 4.0mm <sup>2</sup> , 2 x 6.0mm <sup>2</sup>                                   |
| Earth Terminal Capacity       | 3 x 2.5mm <sup>2</sup> , 3 x 4.0mm <sup>2</sup> , 2 x 6.0mm <sup>2</sup>                                   |
| Outlet Protection Shutter     | Yes  |
| Fixing Centres                | 120.6mm  |
| Size                          | 86mm x 146mm x 4mm (Plate thickness - 2mm)   |
| Product Class 1               | Face plate must be earthed   |
| Ambient Operating Temperature | -5° to +40°C   |
| Recommended Location          | Internal Use Only  |
| Maximum Installation Altitude | 2000m  |
| IP Rating                     | IP2XD  |
| Switched Poles                | Double Pole  |
| Mains Frequency               | 50hz - 60hz  |
| Contact Gap Minimum           | 3mm  |
| Trademarks                    | The Soho Lighting Company is a registered trade mark number: UK00003313349, EU017906396, Date: 25 May 2018 |