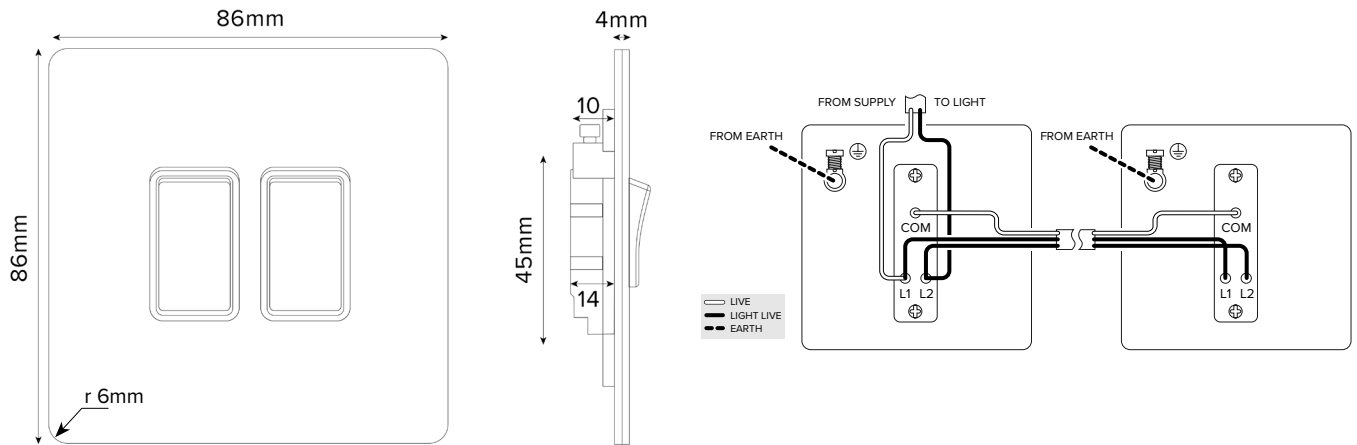


## 10A 2 Gang 2 Way Switch - Flat Plate



### TECHNICAL SPECIFICATION

Standard(s)	BS EN 60669-1
Voltage Rating	10 A(X), 250V <sup>~</sup>
Contact Gap	Normal Gap
Mounting Box Depth (Min)	25mm
Terminal Capacity	4 x 1.0mm <sup>2</sup> , 4 x 1.5mm <sup>2</sup> , 2 x 2.5mm <sup>2</sup> , 1 x 4.0mm <sup>2</sup>
Earth Terminal Capacity	4 x 1.0mm <sup>2</sup> , 4 x 1.5mm <sup>2</sup> , 2 x 2.5mm <sup>2</sup> , 1 x 4.0mm <sup>2</sup>
Fixing Centres	60.3mm
Size	86mm x 86mm x 4mm (Plate thickness - 2mm)
Product Class 1	Face plate must be earthed
Ambient Operating Temperature	-5° to +40°C
Recommended Location	Internal Use Only
Maximum Installation Altitude	2000m
IP Rating	IP2XD
Switched Poles	Single
Mains Frequency	50hz - 60hz
Contact Gap Minimum	3mm
Trademarks	The Soho Lighting Company is a registered trade mark number: UK00003313349, EU017906396, Date: 25 May 2018